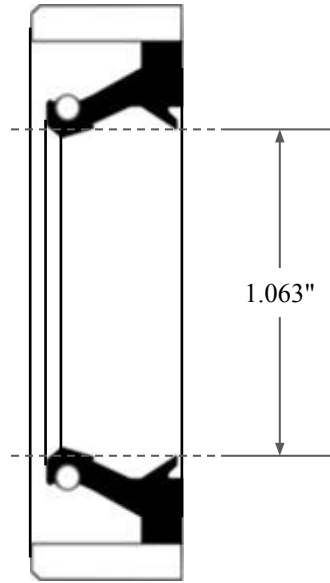
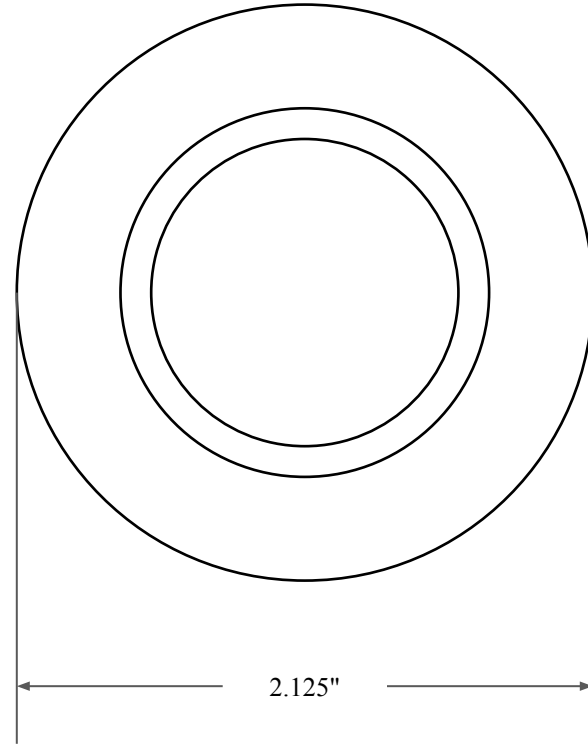





0.438"



1.063"



2.125"

 GLOBAL O-RING and SEAL ALL-AROUND BETTER	PART NUMBER FRS3204CV90
14450 John F. Kennedy Blvd. Houston, TX 77032 www.globaloring.com	Fabric Reinforced Oil Seal - Viton 90 Style C Ref: JM Clipper 13243 HSL16
Information in this drawing is provided for reference only	