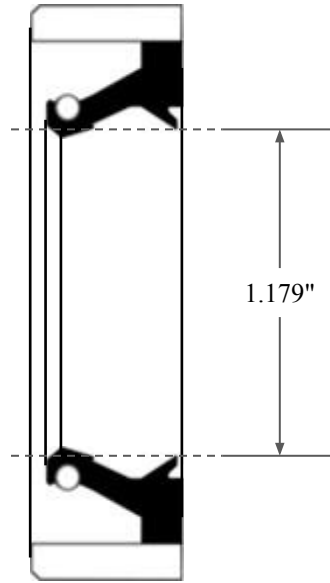
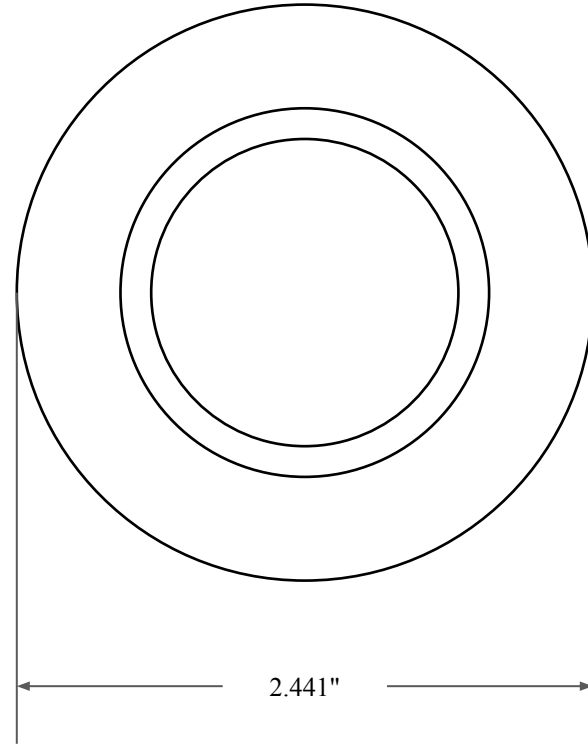





0.375"



1.179"



2.441"

 GLOBAL O-RING and SEAL ALL-AROUND BETTER	PART NUMBER FRS3628CV90
14450 John F. Kennedy Blvd. Houston, TX 77032	Fabric Reinforced Oil Seal - Viton 90 Style C Ref: JM Clipper 13286 H5MX5489
Information in this drawing is provided for reference only	