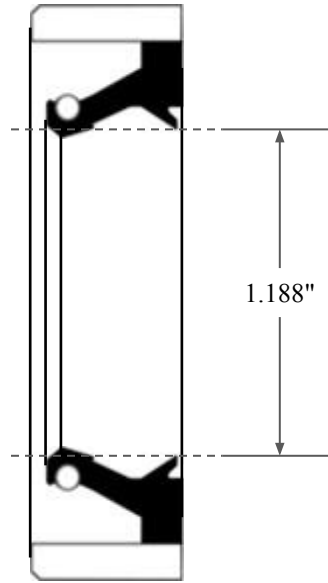
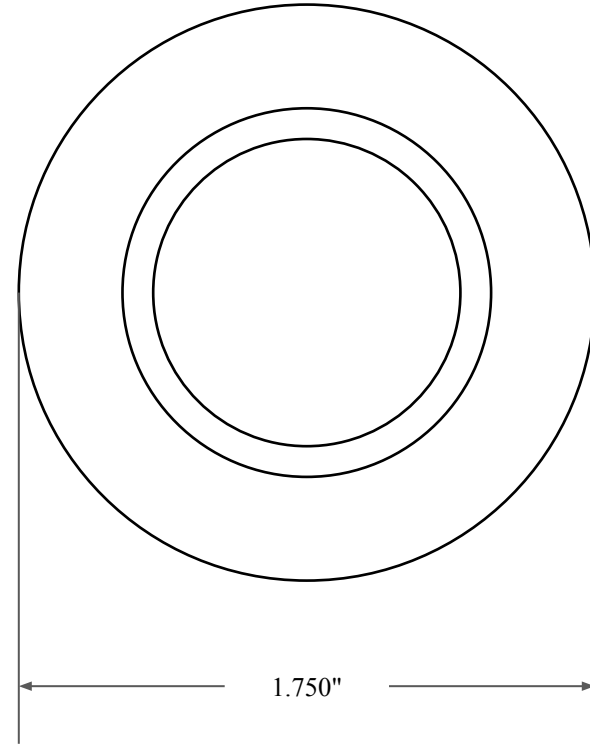




0.375"



1.188"



1.750"



GLOBAL O-RING
and SEAL
ALL-AROUND BETTER

14450 John F. Kennedy Blvd.
Houston, TX 77032

www.globaloring.com

PART
NUMBER

FRS3884C

Fabric Reinforced Oil Seal - Nitrile 90 Style C
Ref: JM Clipper 18034 H1L5

Information in this drawing is provided for reference only