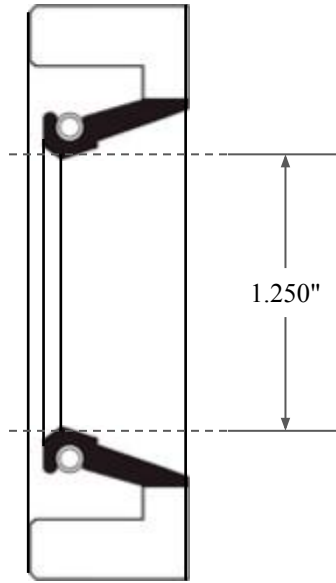
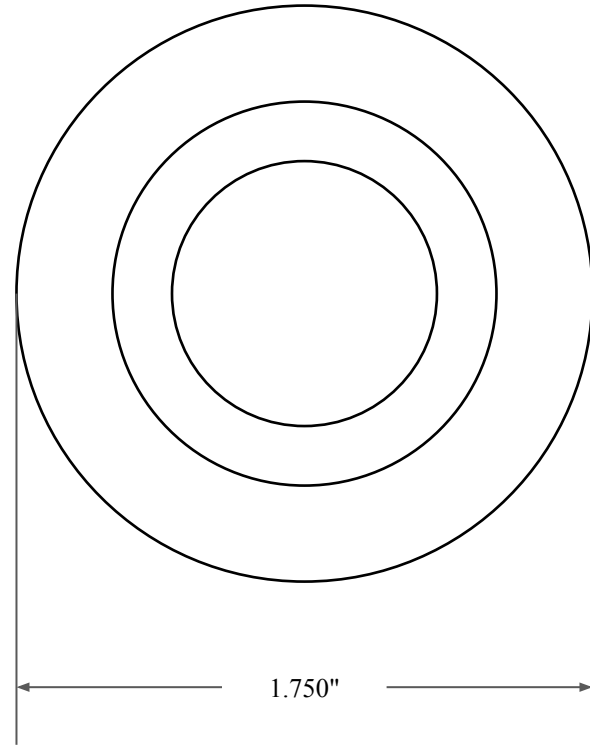





0.250"



1.250"



1.750"

 <p><b>GLOBAL O-RING</b> and SEAL ALL-AROUND BETTER</p>	PART NUMBER <b>FRS4019AX</b>
14450 John F. Kennedy Blvd. Houston, TX 77032	Fabric Reinforced Oil Seal - XNBR 75 Style A Ref: JM Clipper 8820 HIL20 PTFE
Information in this drawing is provided for reference only	