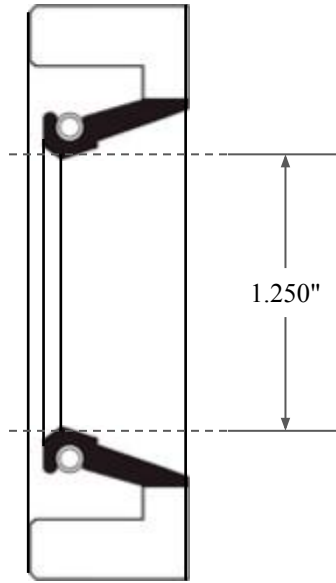
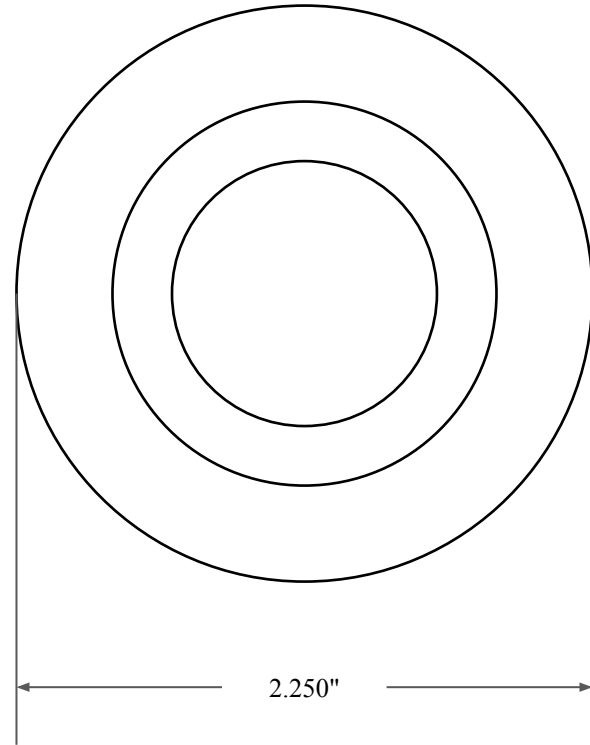





0.375"



1.250"



2.250"

 <p>GLOBAL O-RING and SEAL ALL-AROUND BETTER</p>	PART NUMBER FRS4102ANT
14450 John F. Kennedy Blvd. Houston, TX 77032	Fabric Reinforced Oil Seal - Nitrile/PTFE 75 Style A Ref: JM Clipper 10053 HIL5 PTFE
Information in this drawing is provided for reference only	