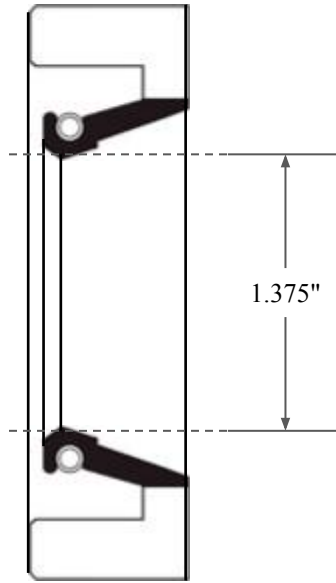
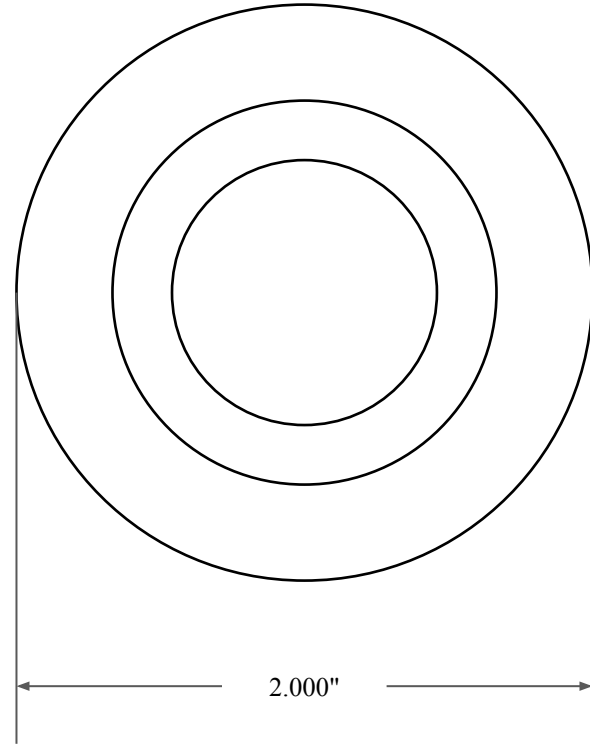





0.313"



1.375"



2.000"

 GLOBAL O-RING and SEAL ALL-AROUND BETTER	PART NUMBER FRS4636AVT90
14450 John F. Kennedy Blvd. Houston, TX 77032 www.globaloring.com	Fabric Reinforced Oil Seal - Viton/PTFE 90 Style A Ref: JM Clipper 10485 HSL16 PTF
Information in this drawing is provided for reference only	