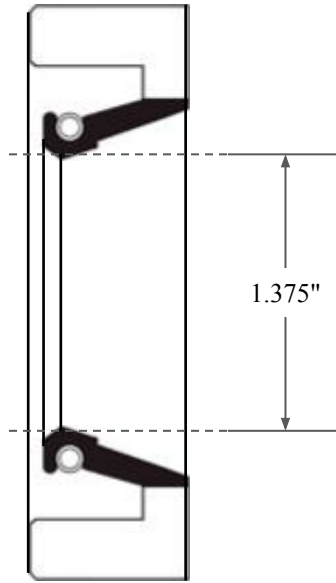
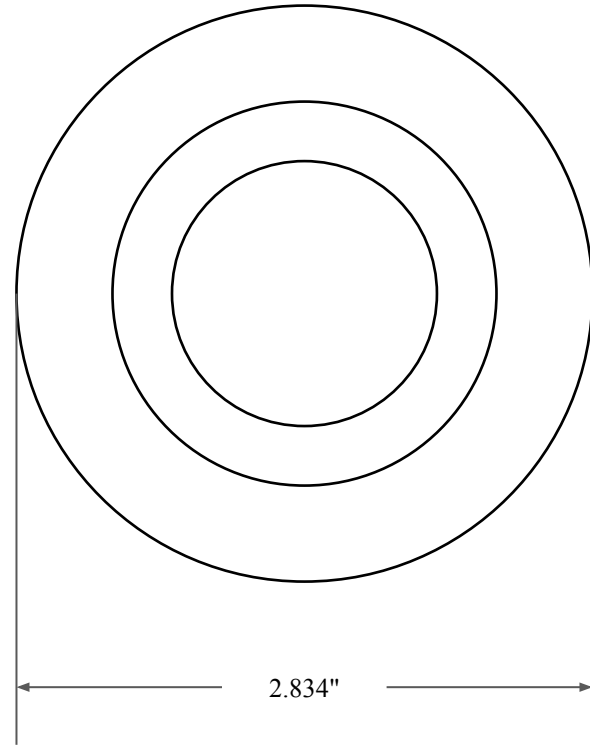




0.250"



1.375"



2.834"



14450 John F. Kennedy Blvd.  
Houston, TX 77032

[www.globaloring.com](http://www.globaloring.com)

PART  
NUMBER

**FRS4731ANT**

Fabric Reinforced Oil Seal - Nitrile/PTFE 75 Style A  
Ref: JM Clipper 17653 HIL5 PTFE

Information in this drawing is provided for reference only