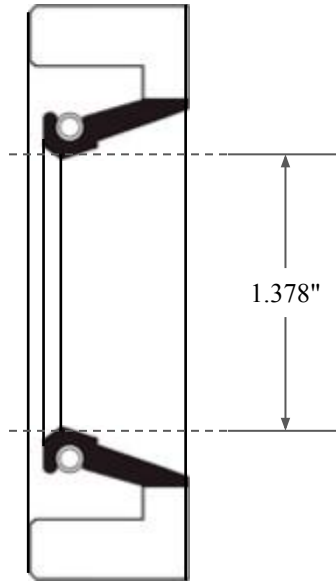
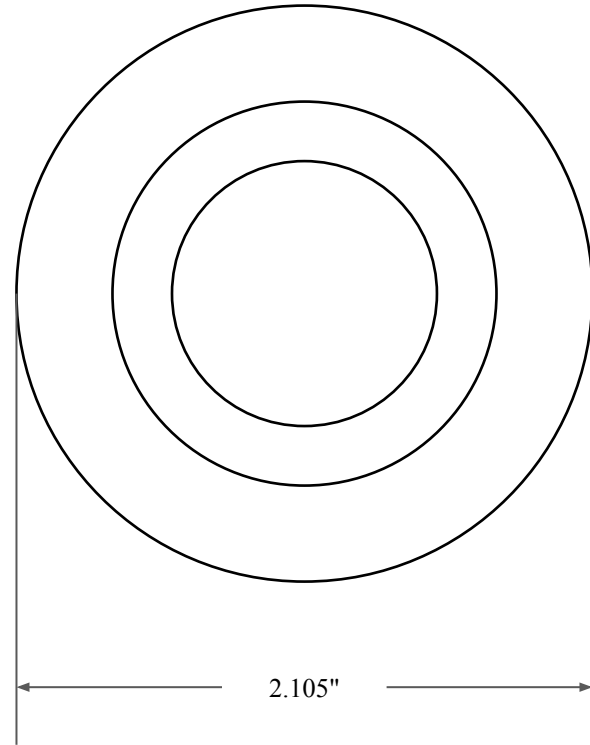





0.469"



1.378"



2.105"

|  |  |
|--|--|
|  <p><b>GLOBAL O-RING</b><br/>and SEAL<br/>ALL-AROUND BETTER</p> | PART NUMBER<br><b>FRS4839AV90</b>  |
| 14450 John F. Kennedy Blvd.<br>Houston, TX 77032   | Fabric Reinforced Oil Seal - Viton 90 Style A<br>Ref: JM Clipper 11568 H5L16 |
| Information in this drawing is provided for reference only   |  |