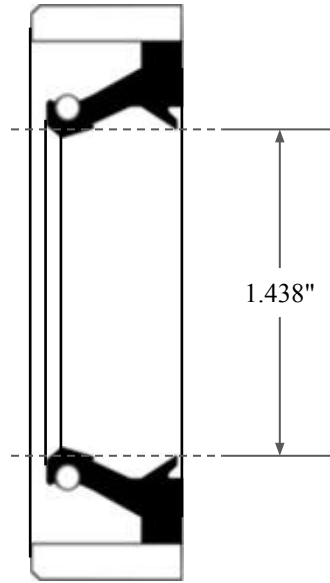
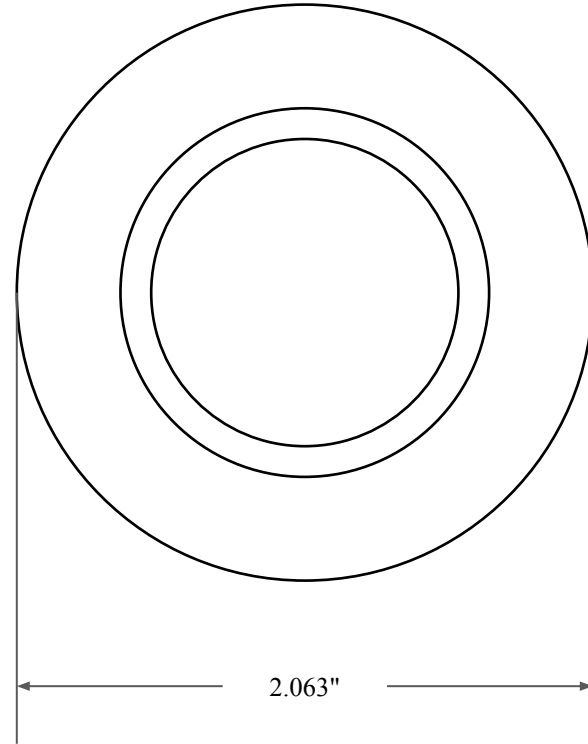





0.313"



1.438"



2.063"

| | |
|---|---|
|  GLOBAL O-RING and SEAL ALL-AROUND BETTER | PART NUMBER FRS5089C |
| 14450 John F. Kennedy Blvd. Houston, TX 77032 | Fabric Reinforced Oil Seal - Nitrile 90 Style C Ref: JM Clipper 19084 H1L5 |
| Information in this drawing is provided for reference only | |