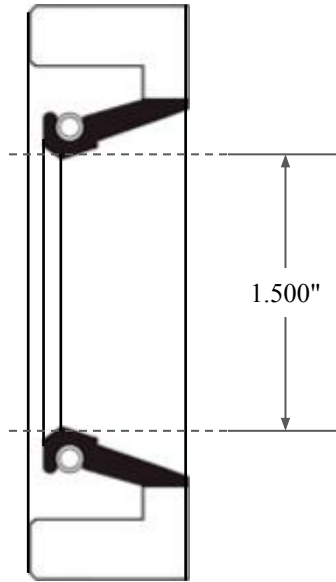
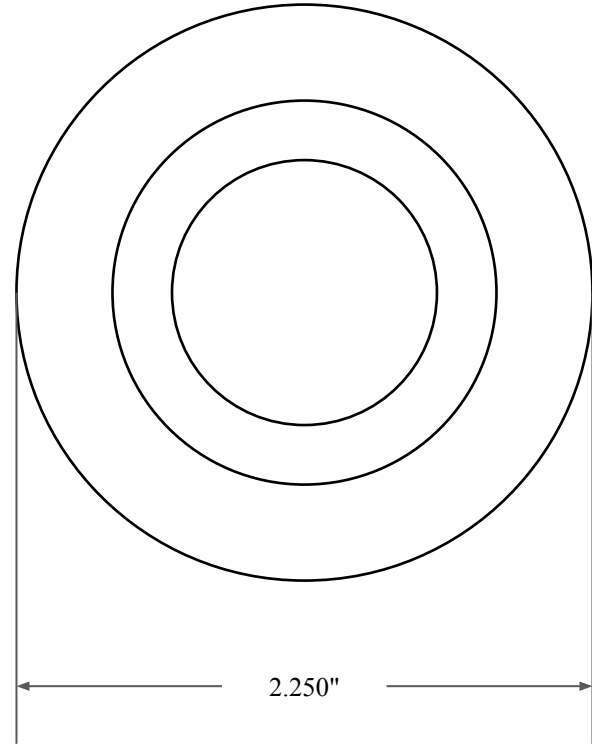


0.375"



1.500"



2.250"



**GLOBAL O-RING**  
and SEAL  
ALL-AROUND BETTER

14450 John F. Kennedy Blvd.  
Houston, TX 77032

[www.globaloring.com](http://www.globaloring.com)

PART  
NUMBER

**FRS5392AVT90**

Fabric Reinforced Oil Seal - Viton/PTFE 90 Style A  
Ref: JM Clipper 7033 H5L16 PTFE

Information in this drawing is provided for reference only