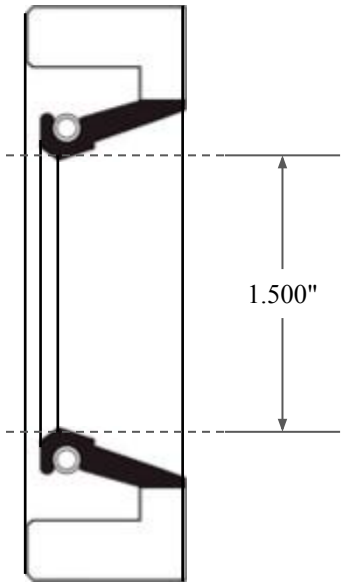
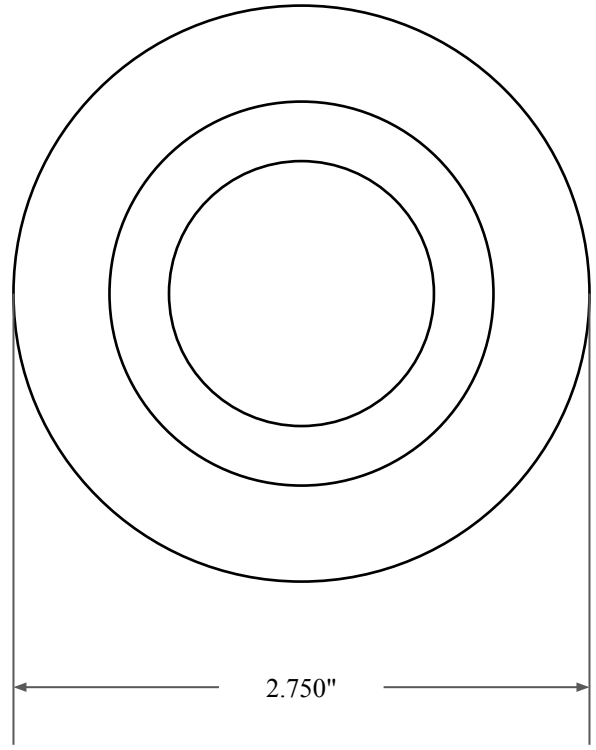





0.500"



1.500"



2.750"

|  |   |
|--|---|
| <br>ALL-AROUND BETTER | PART NUMBER<br><b>FRS5473A</b>  |
| 14450 John F. Kennedy Blvd.<br>Houston, TX 77032   | Fabric Reinforced Oil Seal - Nitrile 90 Style A<br>Ref: JM Clipper 12294 H1L5 |
| Information in this drawing is provided for reference only   |   |