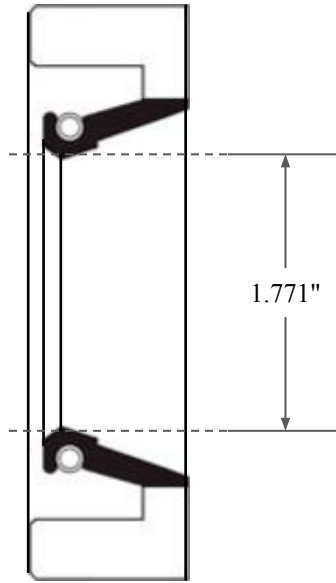
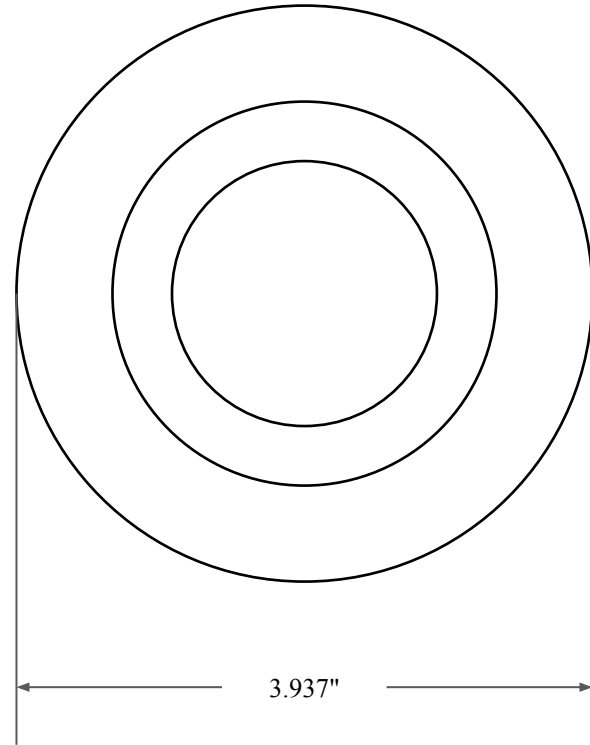




0.500"



1.771"



3.937"



**GLOBAL O-RING**  
and SEAL  
ALL-AROUND BETTER

PART  
NUMBER

**FRS6638A**

14450 John F. Kennedy Blvd.  
Houston, TX 77032

[www.globaloring.com](http://www.globaloring.com)

Fabric Reinforced Oil Seal - Nitrile 90 Style A  
Ref: JM Clipper 9393 H1L5

Information in this drawing is provided for reference only