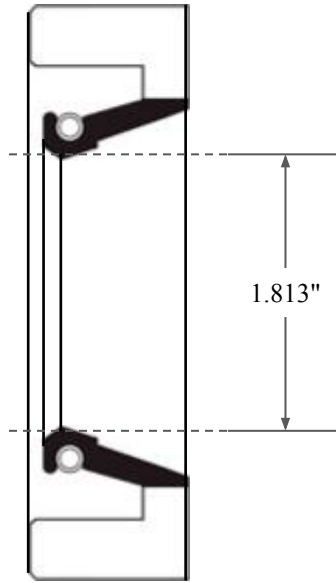
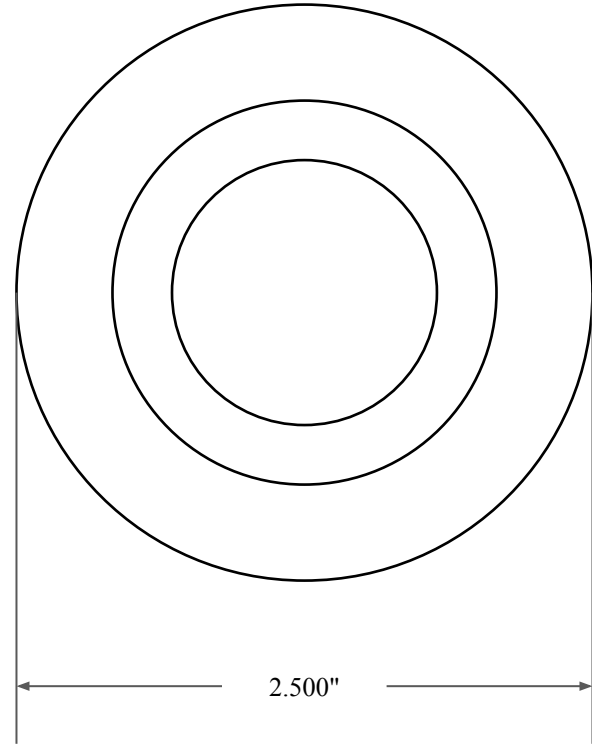





0.375"



1.813"



2.500"

 GLOBAL O-RING and SEAL ALL-AROUND BETTER	PART NUMBER FRS6871A90
14450 John F. Kennedy Blvd. Houston, TX 77032	Fabric Reinforced Oil Seal - Nitrile 90 Style A Ref: JM Clipper 5628 H1L7
Information in this drawing is provided for reference only	