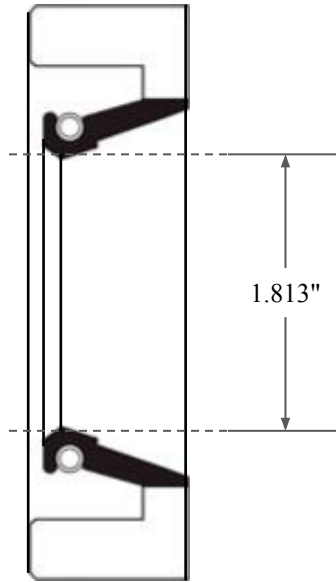
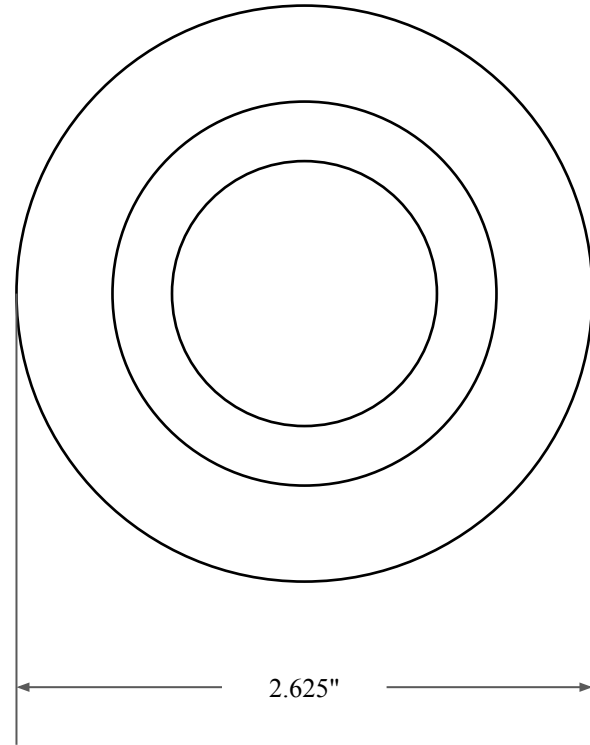





0.500"



1.813"



2.625"

 GLOBAL O-RING and SEAL ALL-AROUND BETTER	PART NUMBER FRS6877AVT90
14450 John F. Kennedy Blvd. Houston, TX 77032	Fabric Reinforced Oil Seal - Viton/PTFE 90 Style A Ref: JM Clipper 15020 H5MX5489
Information in this drawing is provided for reference only	