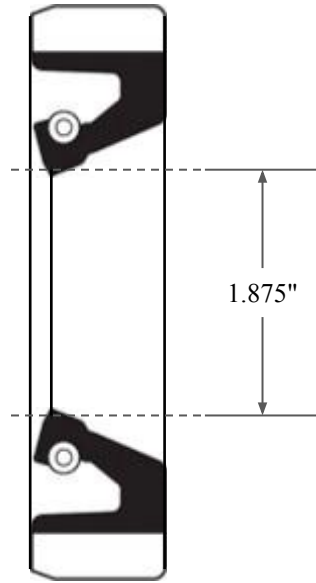
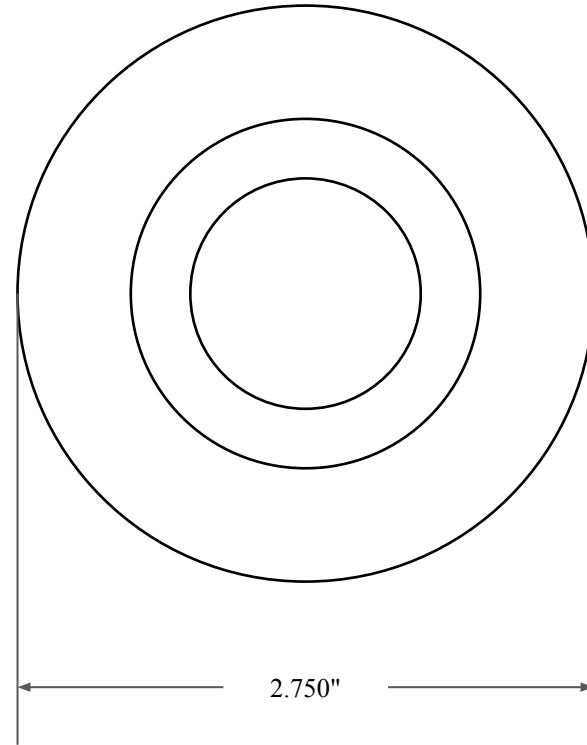





0.438"



1.875"



2.750"

| | |
|---|--|
|  GLOBAL O-RING and SEAL ALL-AROUND BETTER | PART NUMBER FRS7029B |
| 14450 John F. Kennedy Blvd. Houston, TX 77032 | Fabric Reinforced Oil Seal - Nitrile 90 Style B Ref: JM Clipper 0187 4162 |
| Information in this drawing is provided for reference only | |