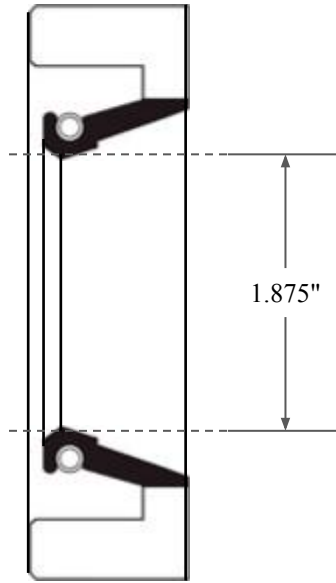
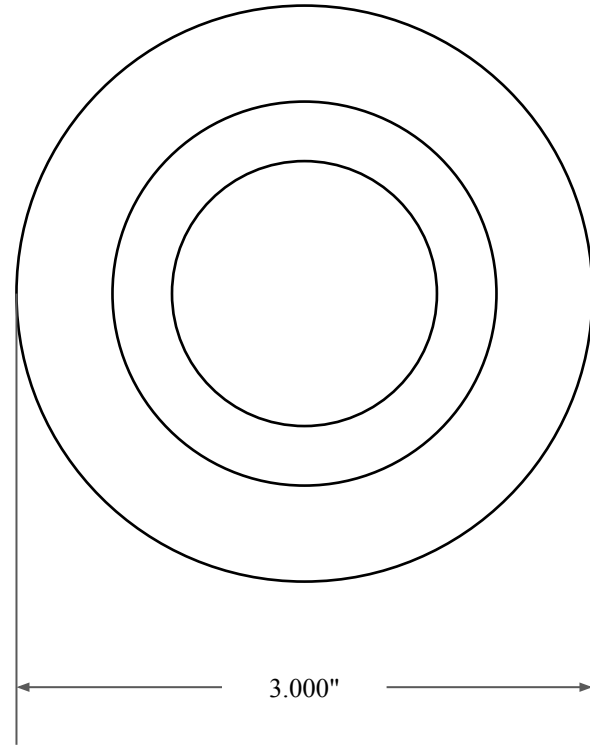





0.375"



1.875"



3.000"

 <p><b>GLOBAL O-RING</b> and SEAL ALL-AROUND BETTER</p>	PART NUMBER <b>FRS7065AVT90</b>
14450 John F. Kennedy Blvd. Houston, TX 77032 <a href="http://www.globaloring.com">www.globaloring.com</a>	Fabric Reinforced Oil Seal - Viton/PTFE 90 Style A Ref: JM Clipper 16012 HSL16 PTF
Information in this drawing is provided for reference only	