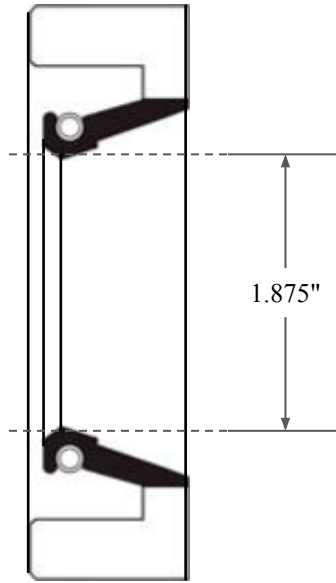
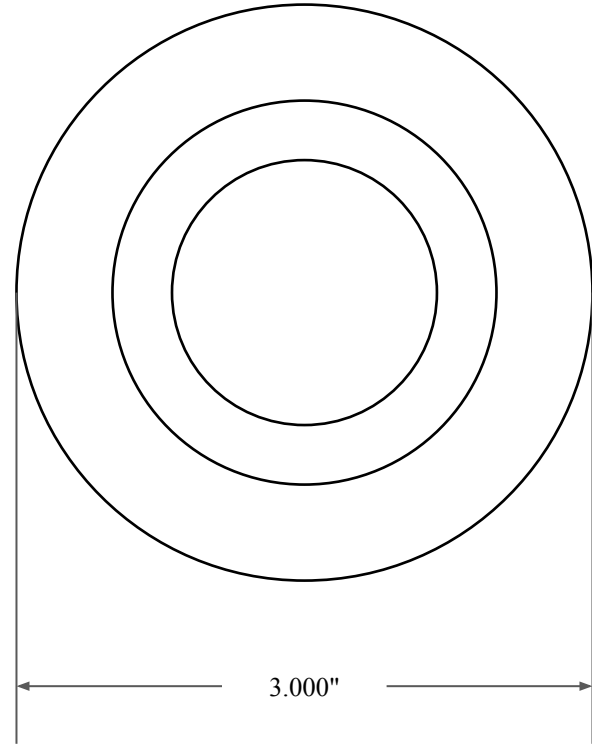





0.375"



1.875"



3.000"

|  |   |
|--|---|
|  <p><b>GLOBAL O-RING</b><br/>and SEAL<br/>ALL-AROUND BETTER</p> | PART NUMBER<br><b>FRS7065A</b>  |
| 14450 John F. Kennedy Blvd.<br>Houston, TX 77032   | Fabric Reinforced Oil Seal - Nitrile 90 Style A<br>Ref: JM Clipper 16012 H1L5 |
| Information in this drawing is provided for reference only   |   |