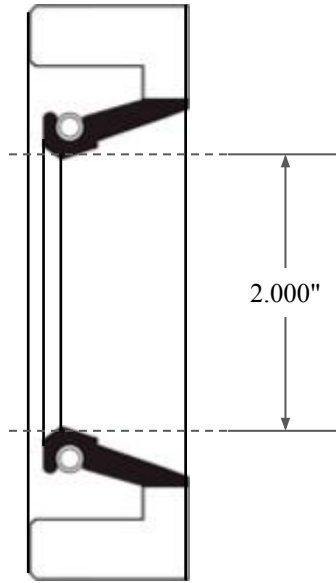
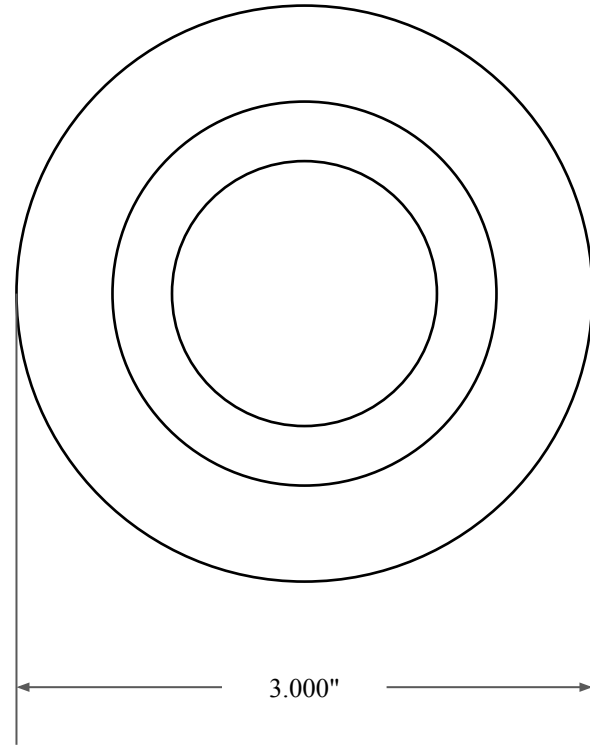





0.500"



2.000"



3.000"

 GLOBAL O-RING and SEAL ALL-AROUND BETTER	PART NUMBER FRS7637ANT90
14450 John F. Kennedy Blvd. Houston, TX 77032	Fabric Reinforced Oil Seal - Nitrile/PTFE 90 Style A Ref: JM Clipper 9043 HIL7 PTFE
Information in this drawing is provided for reference only	