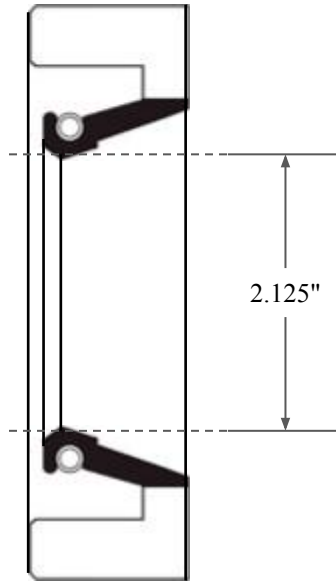
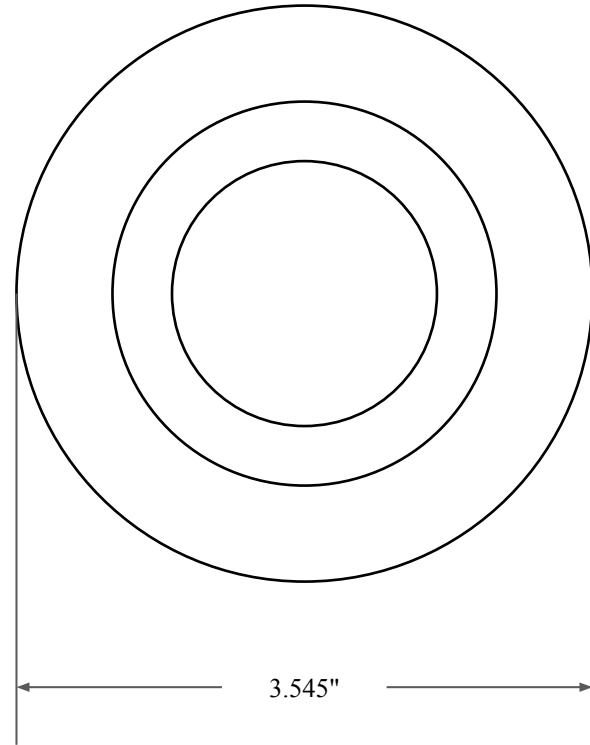





0.438"



2.125"



3.545"

| | |
|--|--|
|  <p>GLOBAL O-RING and SEAL ALL-AROUND BETTER</p> | PART NUMBER FRS8003AV90 |
| 14450 John F. Kennedy Blvd. Houston, TX 77032 | Fabric Reinforced Oil Seal - Viton 90 Style A Ref: JM Clipper 6941 H5MX5489 |
| Information in this drawing is provided for reference only | |