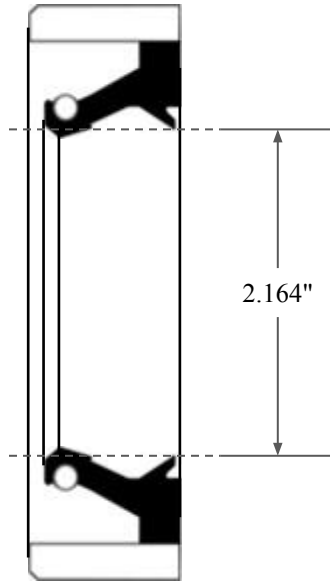
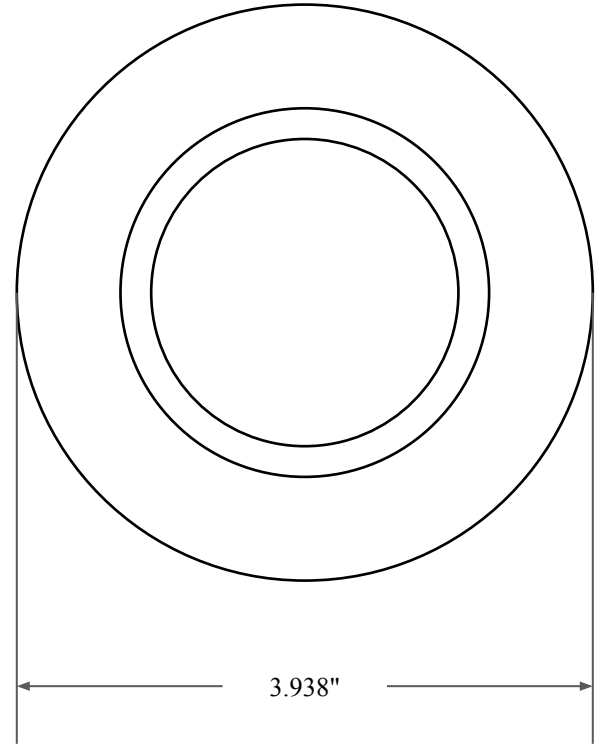





0.375"



2.164"



3.938"

|   |   |
|---|---|
|  <b>GLOBAL O-RING</b><br>and SEAL<br>ALL-AROUND BETTER | PART NUMBER<br><b>FRS8084C</b>  |
| 14450 John F. Kennedy Blvd.<br>Houston, TX 77032  | Fabric Reinforced Oil Seal - Nitrile 90 Style C<br>Ref: JM Clipper 13284 H1L5 |
| Information in this drawing is provided for reference only  |   |