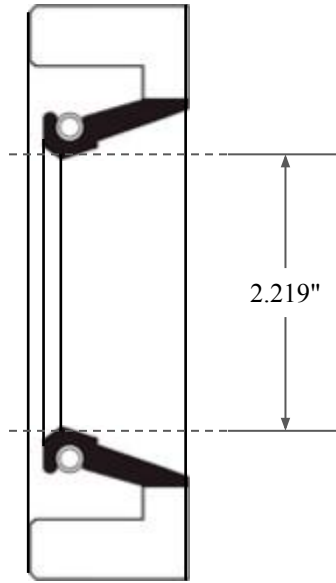
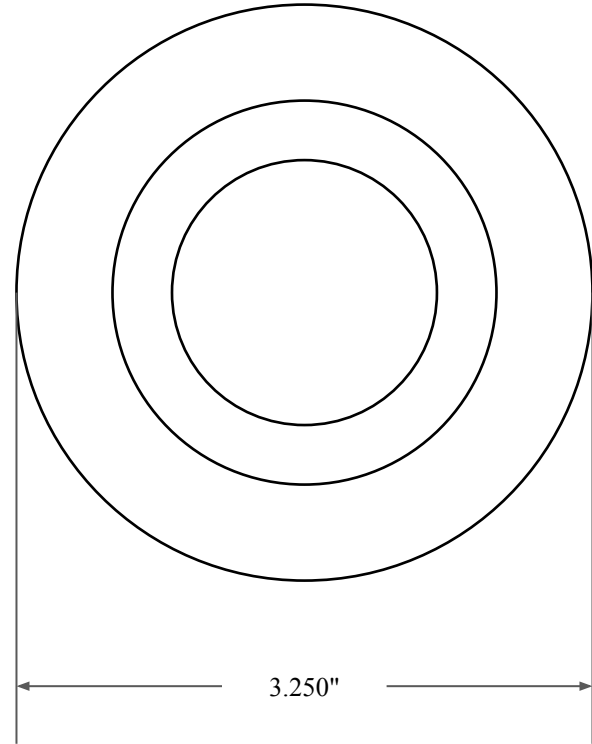




0.375"



2.219"



3.250"



14450 John F. Kennedy Blvd. www.globaloring.com
Houston, TX 77032

Information in this drawing is provided for reference only

PART
NUMBER

FRS8288A

Fabric Reinforced Oil Seal - Nitrile 90 Style A
Ref: JM Clipper 16349 H1L5