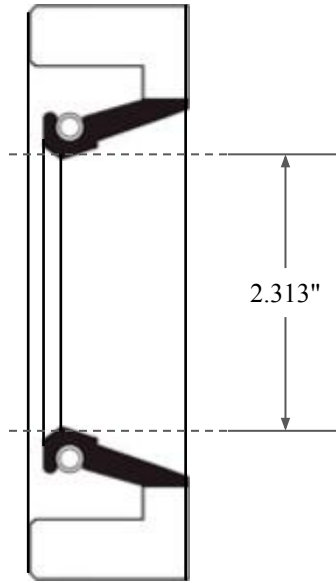
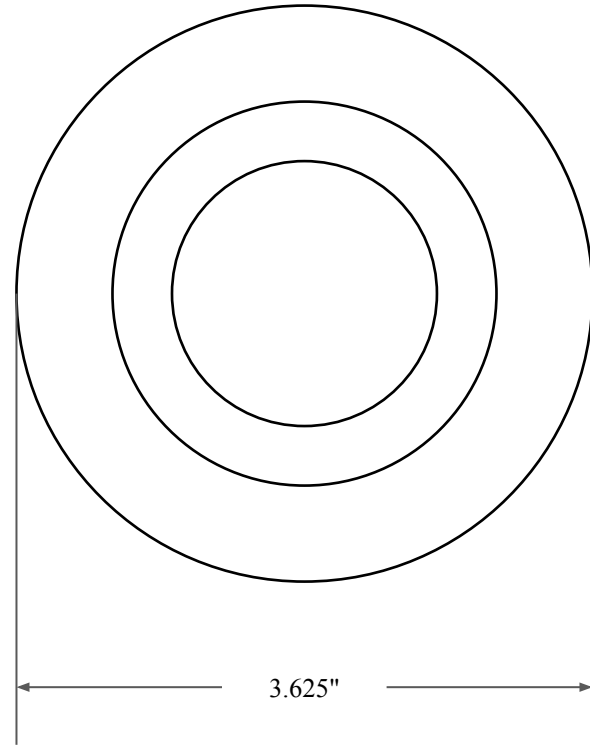





0.500"



2.313"



3.625"

 ALL-AROUND BETTER	PART NUMBER FRS8582A
14450 John F. Kennedy Blvd. Houston, TX 77032	Fabric Reinforced Oil Seal - Nitrile 90 Style A Ref: JM Clipper 15200 H1L5
Information in this drawing is provided for reference only	