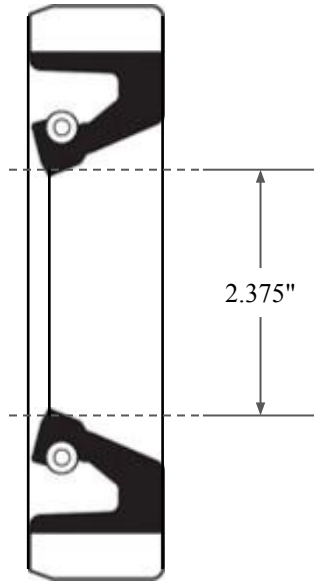
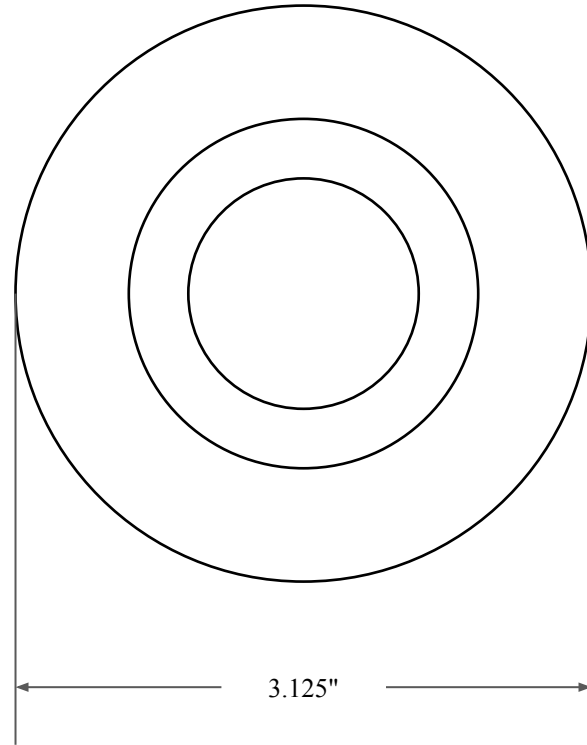





0.375"



2.375"



3.125"

 ALL-AROUND BETTER	PART NUMBER <b>FRS8746B</b>
14450 John F. Kennedy Blvd. Houston, TX 77032	Fabric Reinforced Oil Seal - Nitrile 90 Style B Ref: JM Clipper 0237 3707
Information in this drawing is provided for reference only	