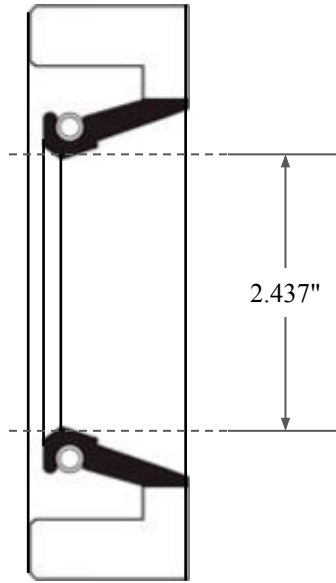
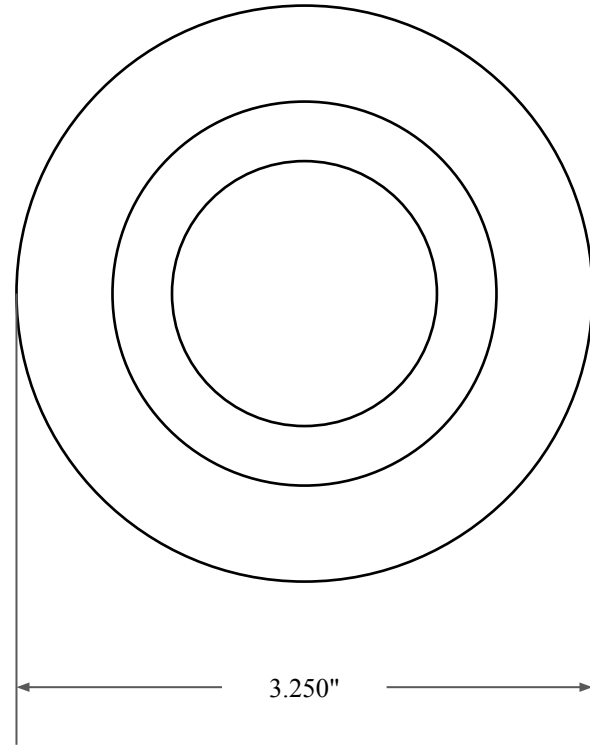




0.375"



2.437"



3.250"



GLOBAL O-RING
and SEAL
ALL-AROUND BETTER

14450 John F. Kennedy Blvd.
Houston, TX 77032

www.globaloring.com

PART
NUMBER

FRS8853A90

Fabric Reinforced Oil Seal - Nitrile 90 Style A
Ref: JM Clipper 11660 H1L7

Information in this drawing is provided for reference only