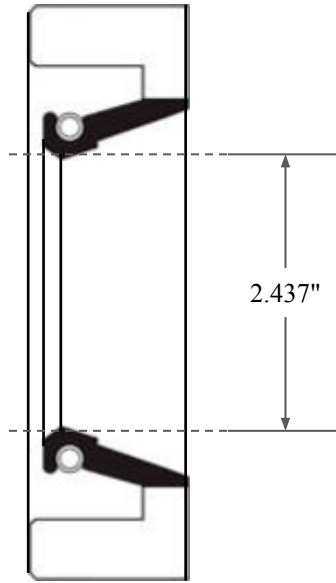
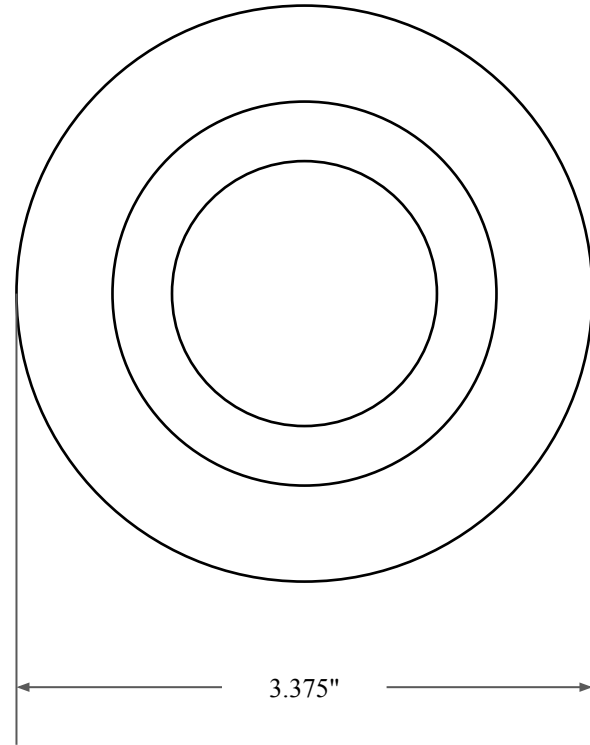




0.500"



2.437"



3.375"



GLOBAL O-RING
and SEAL
ALL-AROUND BETTER

14450 John F. Kennedy Blvd.
Houston, TX 77032

www.globaloring.com

PART
NUMBER

FRS8862AV90

Fabric Reinforced Oil Seal - Viton 90 Style A
Ref: JM Clipper 13498 HSL16

Information in this drawing is provided for reference only