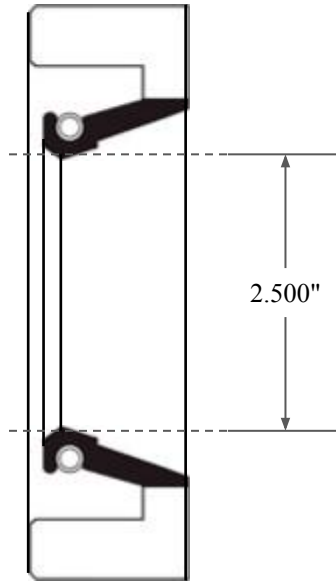
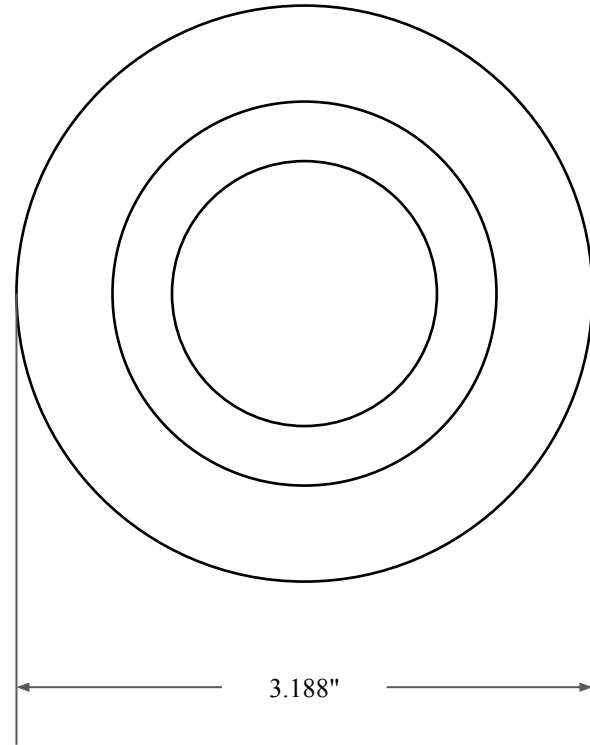





0.375"



2.500"



3.188"

|   |   |
|---|---|
|  <p>GLOBAL O-RING<br/>and SEAL<br/>ALL-AROUND BETTER</p> | PART NUMBER<br><b>FRS9001A</b>  |
| 14450 John F. Kennedy Blvd.<br>Houston, TX 77032  | Fabric Reinforced Oil Seal - Nitrile 90 Style A<br>Ref: JM Clipper 10184 H1L5 |
| Information in this drawing is provided for reference only  |   |