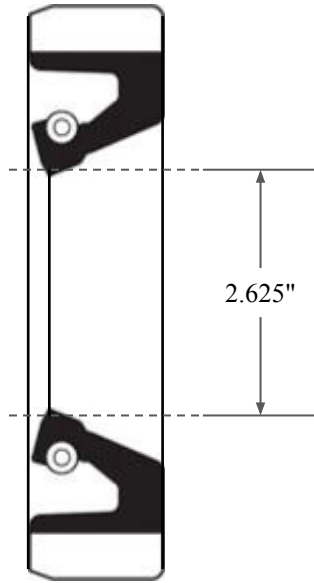
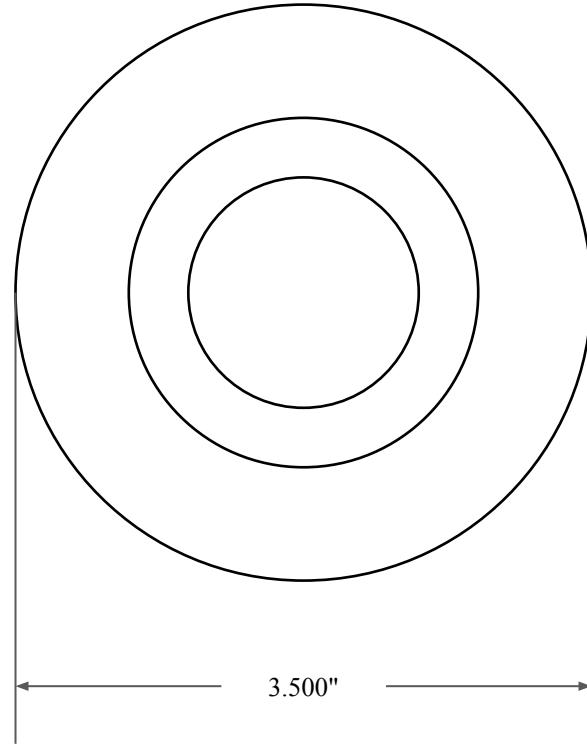





0.437"



2.625"



3.500"

 GLOBAL O-RING and SEAL ALL-AROUND BETTER	PART NUMBER FRS9320BVT90
14450 John F. Kennedy Blvd. Houston, TX 77032 www.globaloring.com	Fabric Reinforced Oil Seal - Viton/PTFE 90 Style B Ref: JM Clipper 9055 H5L16 PTFE
Information in this drawing is provided for reference only	