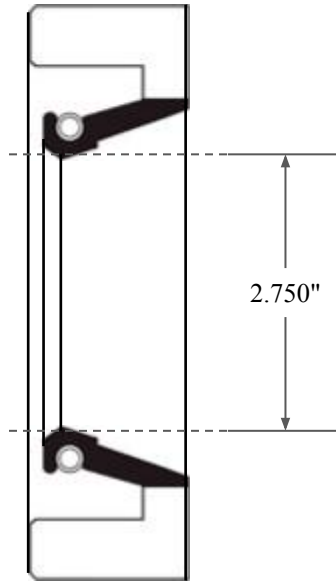
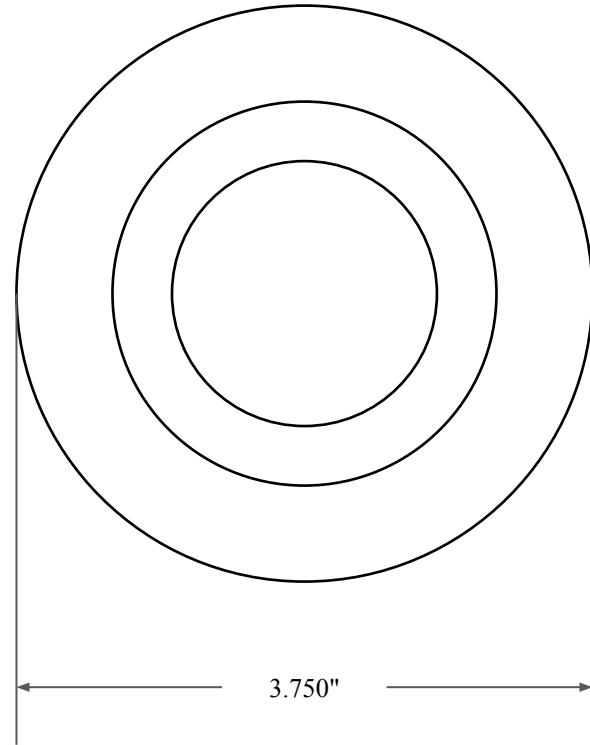


0.500"



2.750"



3.750"



14450 John F. Kennedy Blvd.  
Houston, TX 77032

[www.globaloring.com](http://www.globaloring.com)

PART  
NUMBER

**FRS9524A90**

Fabric Reinforced Oil Seal - Nitrile 90 Style A  
Ref: JM Clipper 9732 H1L7

Information in this drawing is provided for reference only