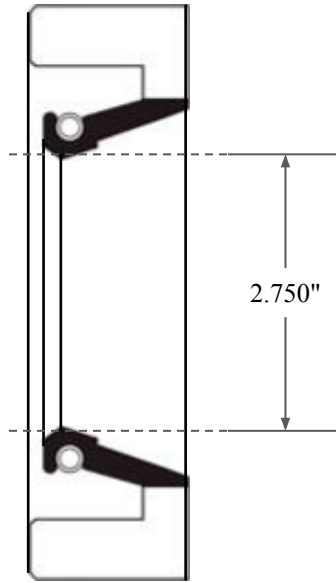
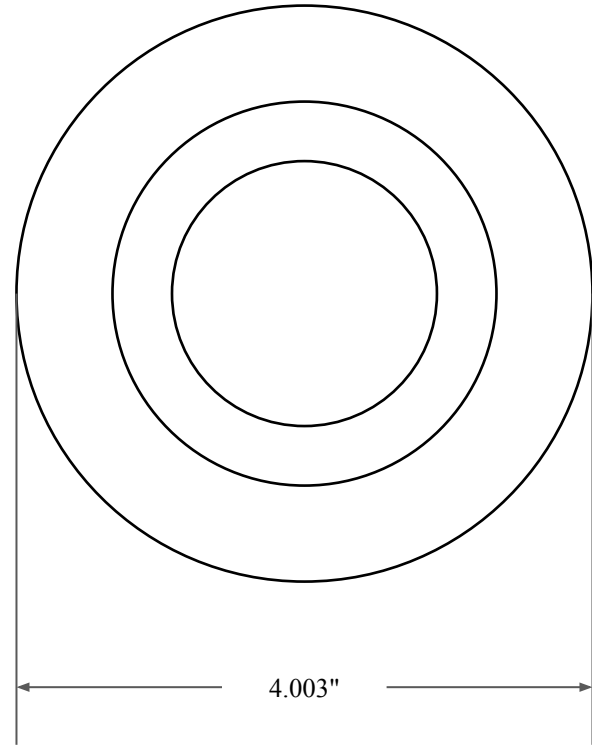





0.469"



2.750"



4.003"

 <p><b>GLOBAL O-RING</b> and SEAL ALL-AROUND BETTER</p>	PART NUMBER <b>FRS9555AE</b>
14450 John F. Kennedy Blvd. Houston, TX 77032 <a href="http://www.globaloring.com">www.globaloring.com</a>	Fabric Reinforced Oil Seal - EPDM 75 Style A Ref: JM Clipper 10044 H1L21
Information in this drawing is provided for reference only	