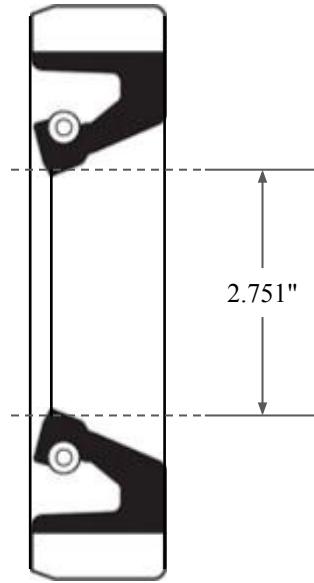
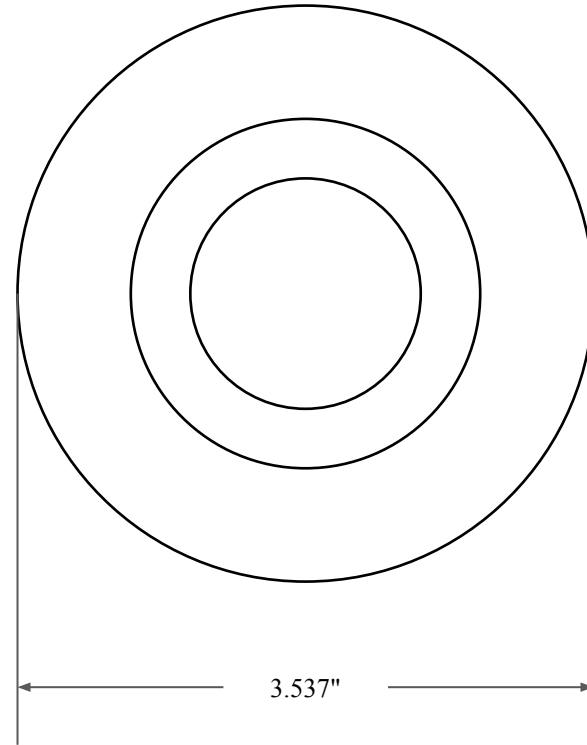




0.393"



2.751"



3.537"



14450 John F. Kennedy Blvd.
Houston, TX 77032

www.globaloring.com

PART
NUMBER

FRS9574B

Fabric Reinforced Oil Seal - Nitrile 90 Style B
Ref: JM Clipper 19577 H1L5

Information in this drawing is provided for reference only