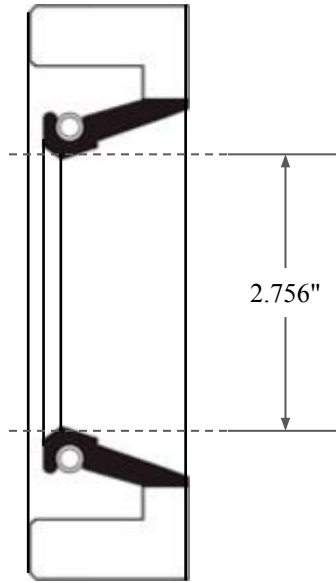
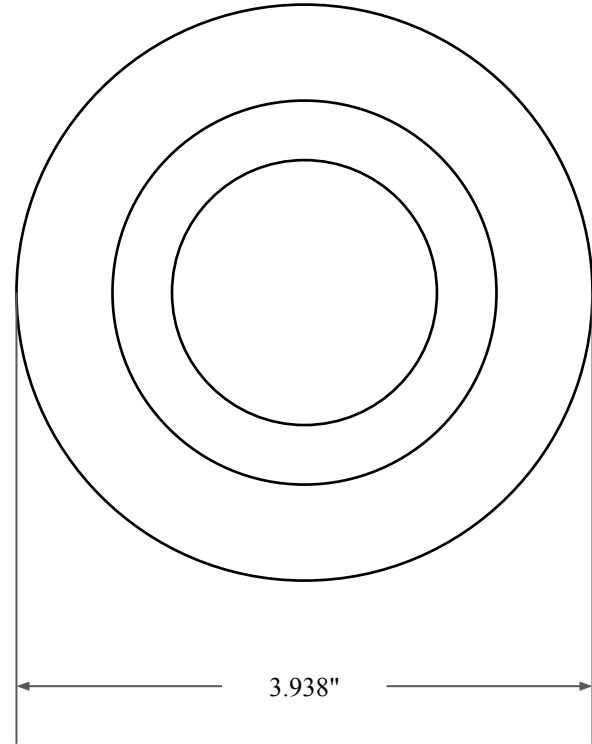



0.470"



2.756"



3.938"

| | |
|--|---|
|  <p>GLOBAL O-RING and SEAL ALL-AROUND BETTER</p> | PART NUMBER FRS9630AV90 |
| 14450 John F. Kennedy Blvd. Houston, TX 77032 | Fabric Reinforced Oil Seal - Viton 90 Style A |
| Information in this drawing is provided for reference only | Ref: JM Clipper 14694 HSL16 |