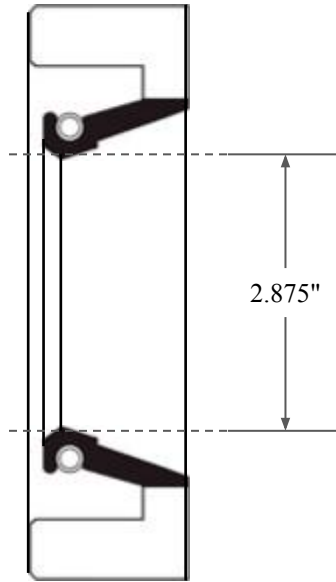
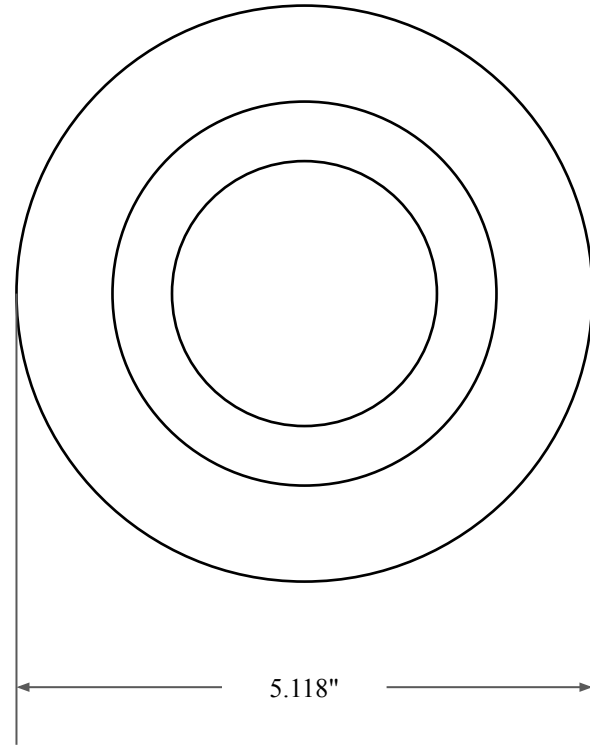





0.500"



2.875"



5.118"

| | |
|--|---|
|  <p>GLOBAL O-RING and SEAL ALL-AROUND BETTER</p> | PART NUMBER FRS9821ANT |
| 14450 John F. Kennedy Blvd. Houston, TX 77032 | Fabric Reinforced Oil Seal - Nitrile/PTFE 75 Style A Ref: JM Clipper 10192 H1L5 PTFE |
| Information in this drawing is provided for reference only | |