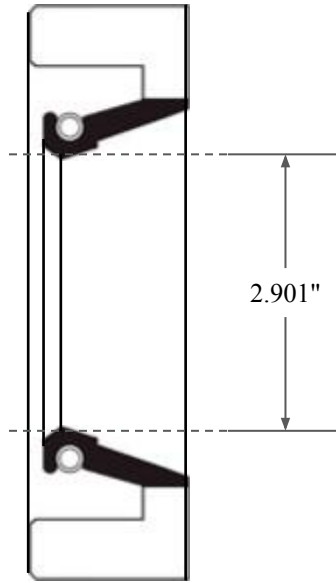
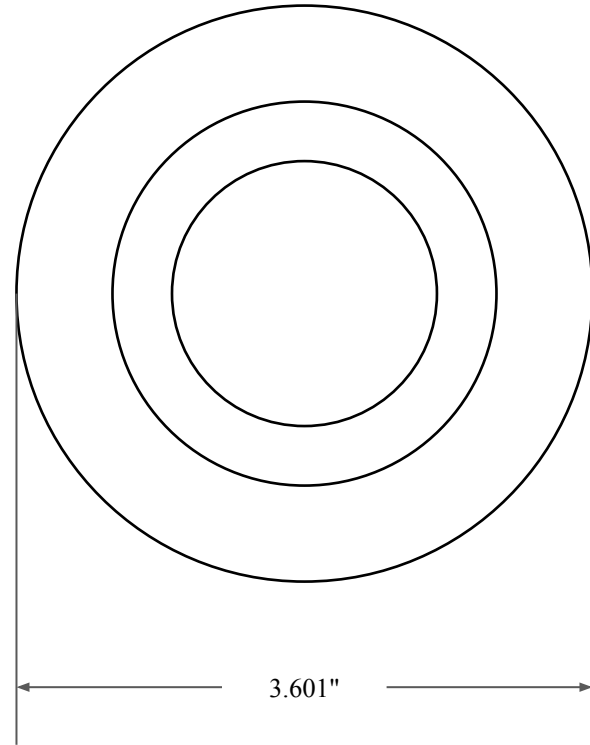





0.232"



2.901"



3.601"

 GLOBAL O-RING and SEAL ALL-AROUND BETTER	PART NUMBER FRS9825AV90
14450 John F. Kennedy Blvd. Houston, TX 77032	Fabric Reinforced Oil Seal - Viton 90 Style A
Information in this drawing is provided for reference only	Ref: JM Clipper 10319 HSL16