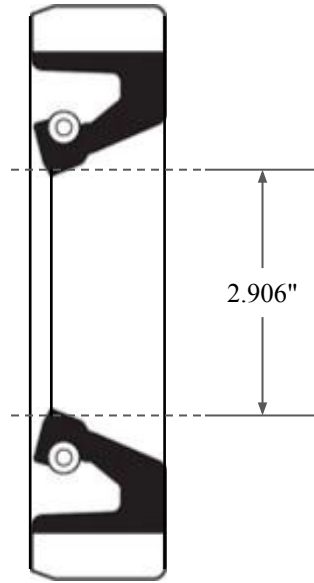
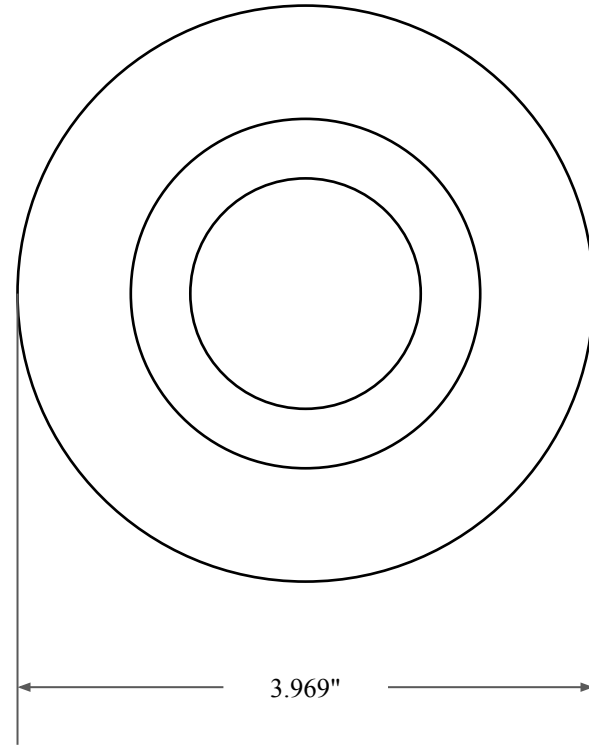




0.438"



2.906"



3.969"



14450 John F. Kennedy Blvd.  
Houston, TX 77032

[www.globaloring.com](http://www.globaloring.com)

PART  
NUMBER

**FRS9830B**

Fabric Reinforced Oil Seal - Nitrile 90 Style B  
Ref: JM Clipper 0290 10168

Information in this drawing is provided for reference only