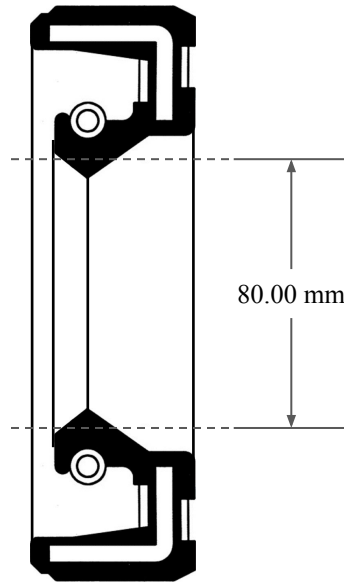
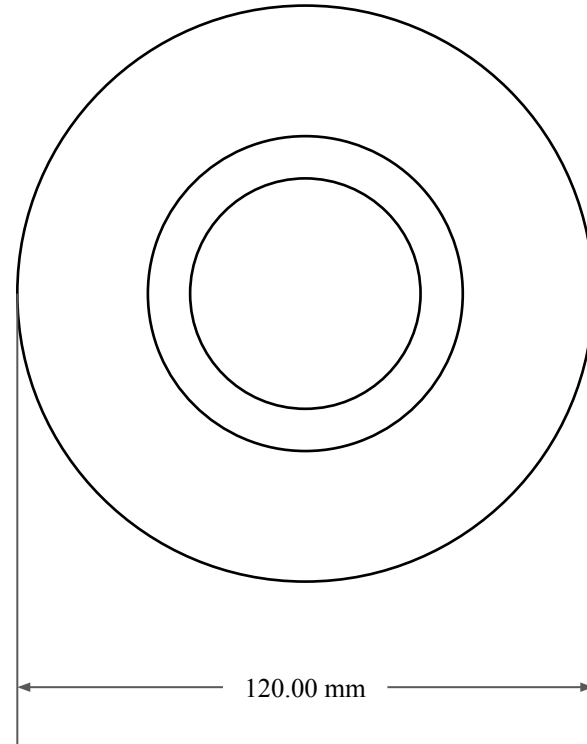





13.00  
mm



80.00 mm



120.00 mm

|   |                                  |
|---|----------------------------------|
|  <b>GLOBAL O-RING</b><br>and SEAL<br>ALL-AROUND BETTER | PART NUMBER<br><b>MOS10289SC</b> |
| 14450 John F. Kennedy Blvd.<br>Houston, TX 77032  | www.globaloring.com              |
| Information in this drawing is provided for reference only  |                                  |

Metric Oil Seal - Nitrile Style SC  
SGL LIP W/ SPR, RBR OD