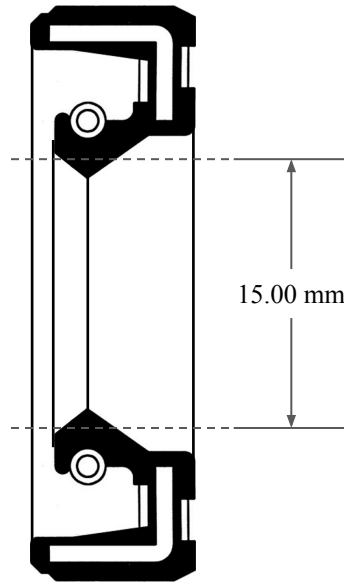
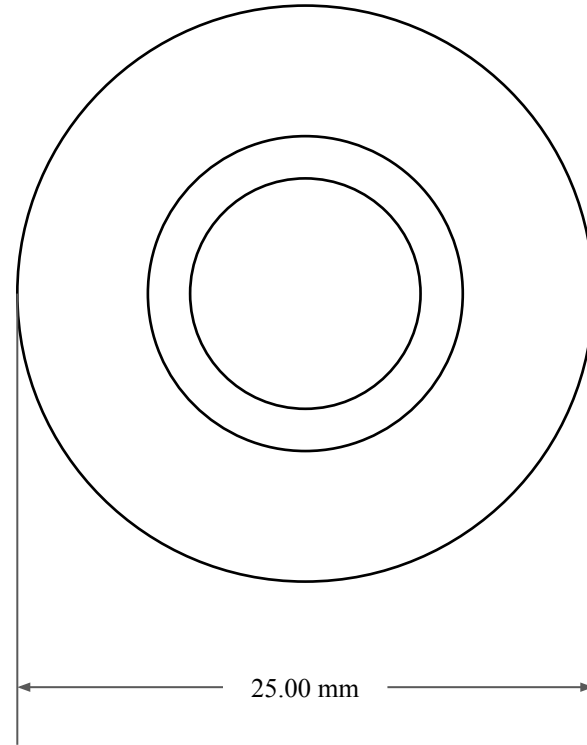





6.00 mm



15.00 mm



25.00 mm

 GLOBAL O-RING and SEAL ALL-AROUND BETTER	PART NUMBER MOS1042SC
14450 John F. Kennedy Blvd. Houston, TX 77032	Metric Oil Seal - Nitrile Style SC
Information in this drawing is provided for reference only	SGL LIP W/ SPR, RBR OD