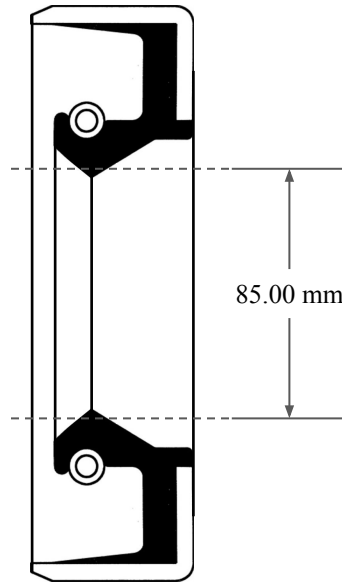
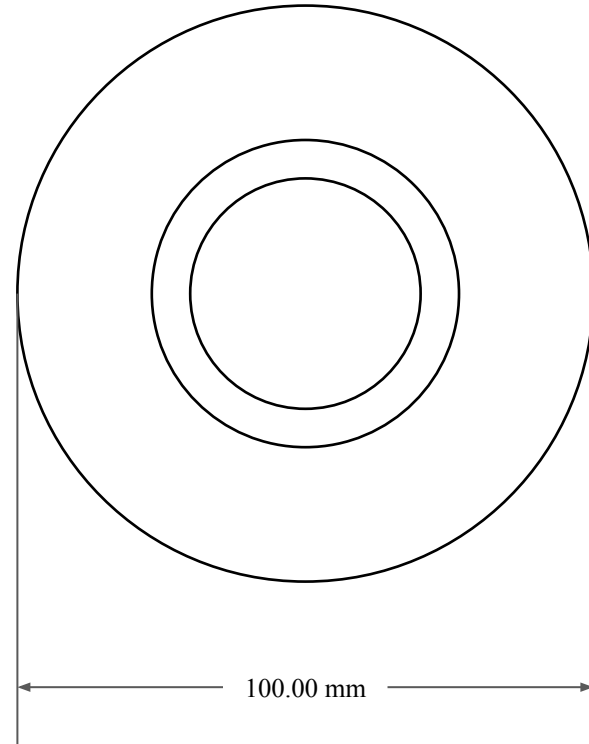


13.00
mm



85.00 mm



100.00 mm



GLOBAL O-RING
and SEAL
ALL-AROUND BETTER

14450 John F. Kennedy Blvd.
Houston, TX 77032

www.globaloring.com

PART
NUMBER

MOS10529SB

Metric Oil Seal - Nitrile Style SB
SGL LIP W/ SPR, MTL OD, RBR ID

Information in this drawing is provided for reference only