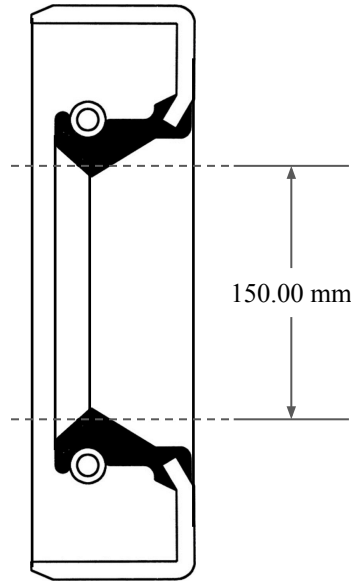
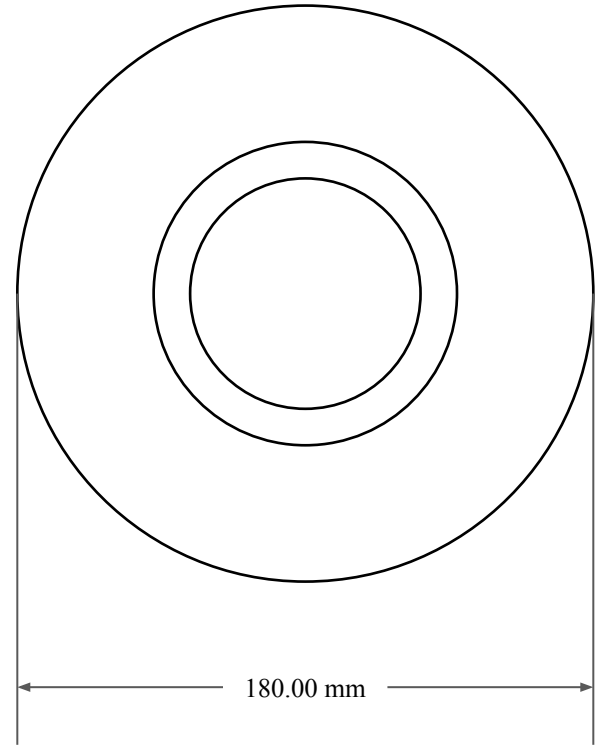





14.00  
mm



150.00 mm



180.00 mm

 <b>GLOBAL O-RING and SEAL</b> ALL-AROUND BETTER	PART NUMBER <b>MOS12792SB2</b>
14450 John F. Kennedy Blvd. Houston, TX 77032 <a href="http://www.globaloring.com">www.globaloring.com</a>	<b>Metric Oil Seal - Nitrile Style SB2 SGL LIP W/ SPR, MTL OD</b>
Information in this drawing is provided for reference only	