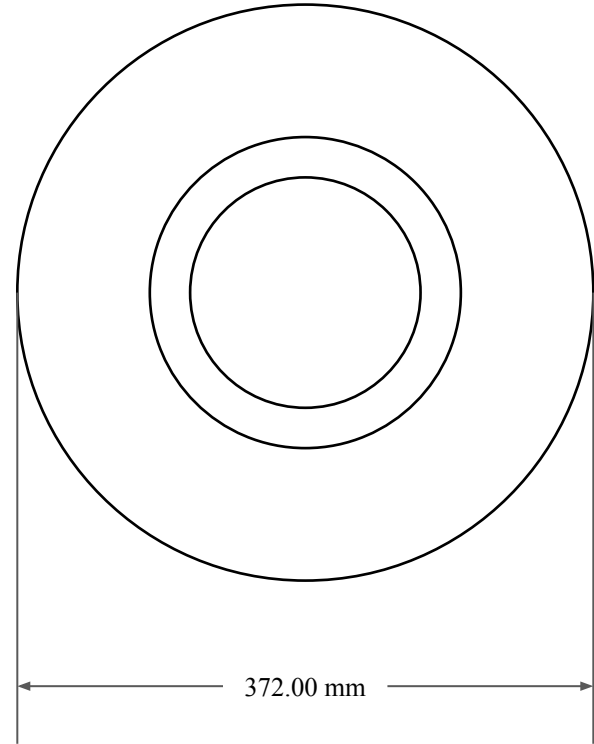
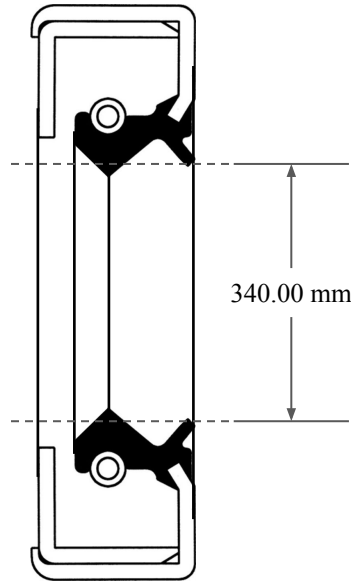





16.00 mm



 <b>GLOBAL O-RING</b> and SEAL ALL-AROUND BETTER	PART NUMBER <b>MOS14250TA2</b>
14450 John F. Kennedy Blvd. Houston, TX 77032 <a href="http://www.globaloring.com">www.globaloring.com</a>	Metric Oil Seal - Nitrile Style TA2 DUAL LIP W/ SPR, MTL OD W/ RFG
Information in this drawing is provided for reference only	

PLATE