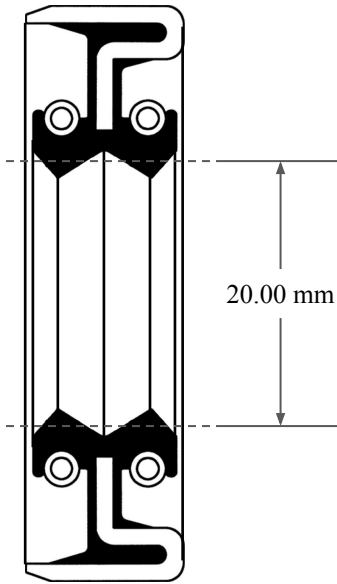
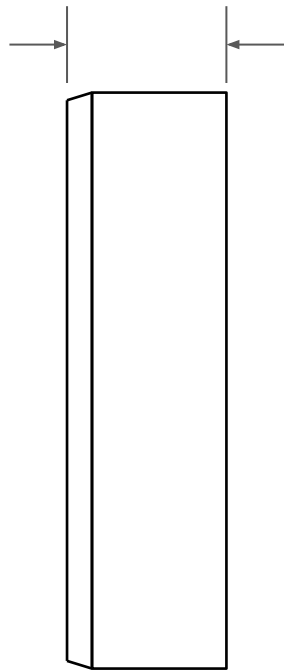
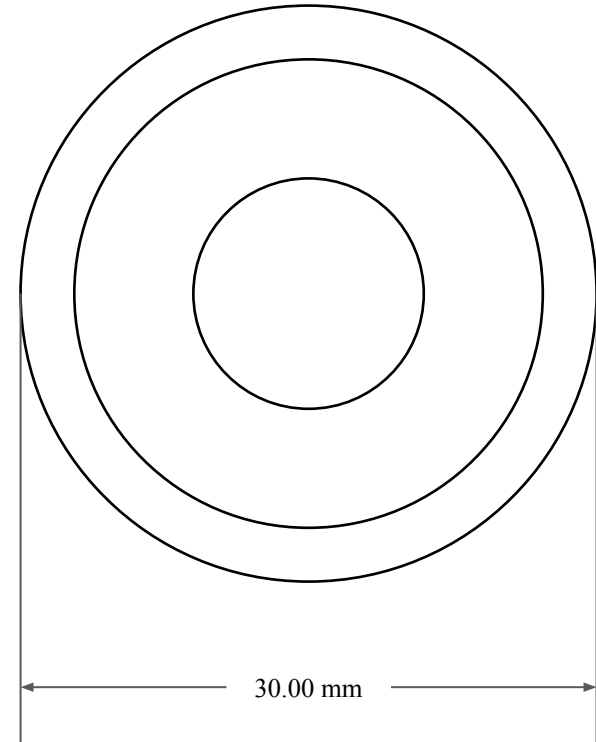





8.00 mm



20.00 mm



30.00 mm

 GLOBAL O-RING and SEAL ALL-AROUND BETTER	PART NUMBER MOS1912DB
14450 John F. Kennedy Blvd. Houston, TX 77032	Metric Oil Seal - Nitrile Style DB DBL LIP W/ SPR, MTL OD, RBR ID
Information in this drawing is provided for reference only	