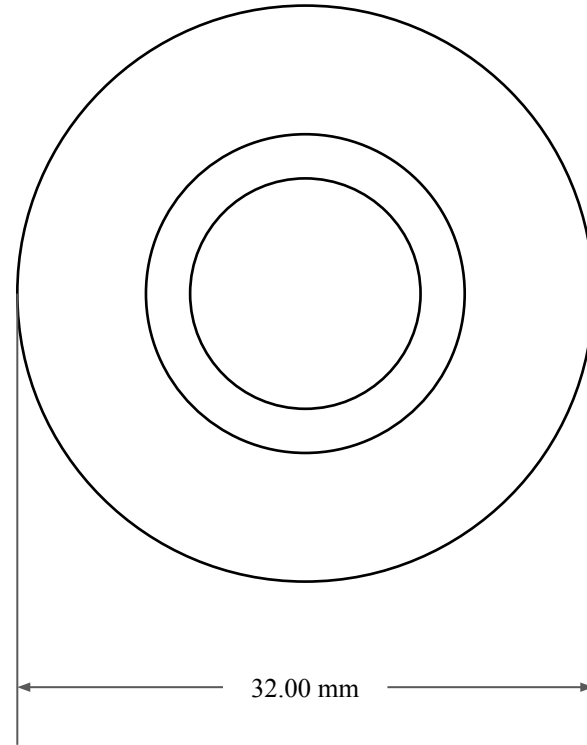





10.00  
mm



20.00 mm



32.00 mm

|   |                                    |
|---|------------------------------------|
|  <b>GLOBAL O-RING</b><br>and SEAL<br>ALL-AROUND BETTER | PART<br>NUMBER<br><b>MOS1925TC</b> |
| 14450 John F. Kennedy Blvd.<br>Houston, TX 77032  | www.globaloring.com                |
| Information in this drawing is provided for reference only  |                                    |

Metric Oil Seal - Nitrile Style TC  
DUAL LIP W/ SPR, RBR OD