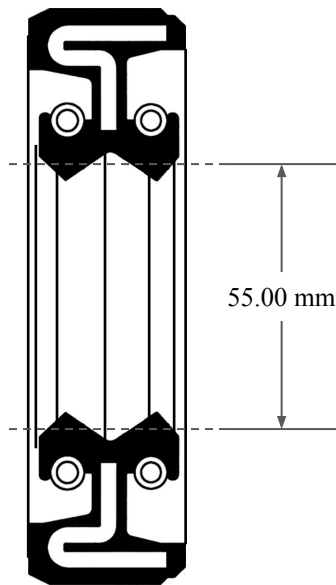
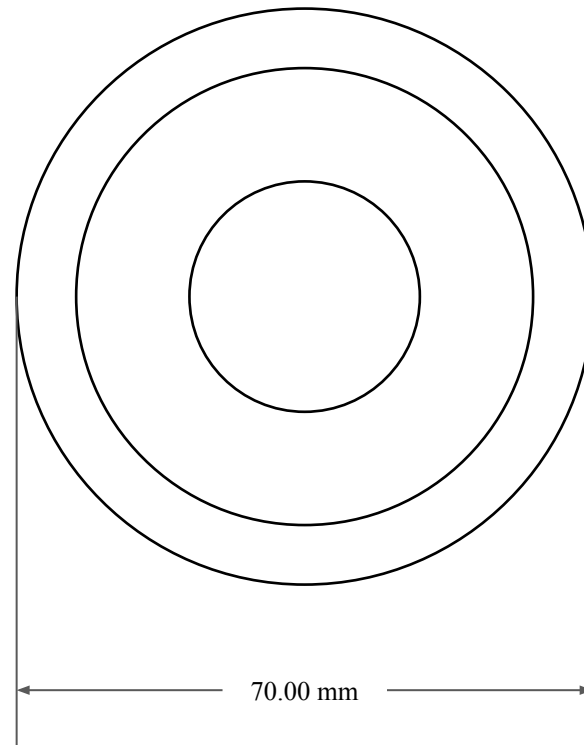





15.00  
mm



55.00 mm



70.00 mm

 <b>GLOBAL O-RING</b> and SEAL ALL-AROUND BETTER	PART NUMBER <b>MOS21530DC</b>
14450 John F. Kennedy Blvd. Houston, TX 77032 <a href="http://www.globaloring.com">www.globaloring.com</a>	<b>Metric Oil Seal - Nitrile Style DC</b> DBL LIP W/ SPR, RBR OD
<small>Information in this drawing is provided for reference only</small>	