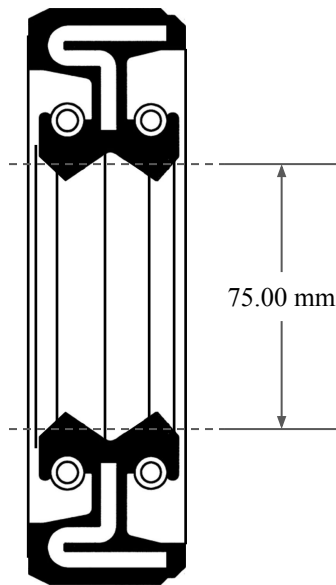
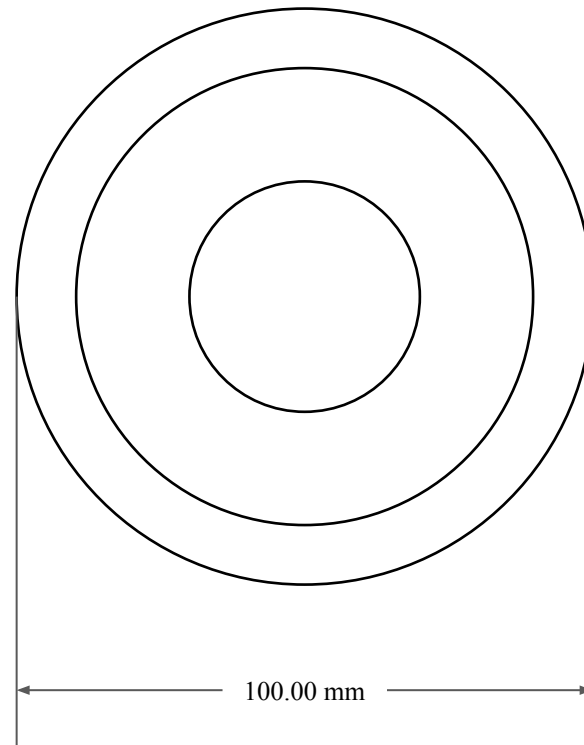





15.00  
mm



75.00 mm



100.00 mm

|   |  |
|---|--|
|  <b>GLOBAL O-RING</b><br>and SEAL<br>ALL-AROUND BETTER | PART<br>NUMBER<br><b>MOS22537DC</b>                          |
| 14450 John F. Kennedy Blvd.<br>Houston, TX 77032  | Metric Oil Seal - Nitrile Style DC<br>DBL LIP W/ SPR, RBR OD |
| Information in this drawing is provided for reference only  |  |