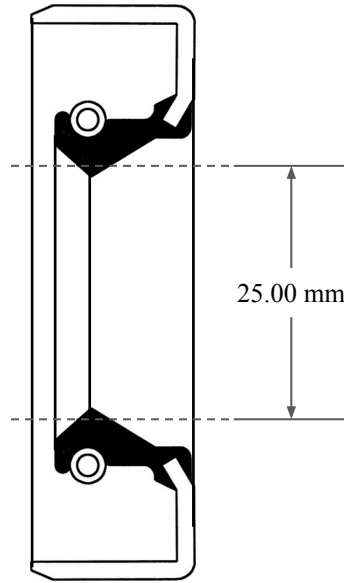
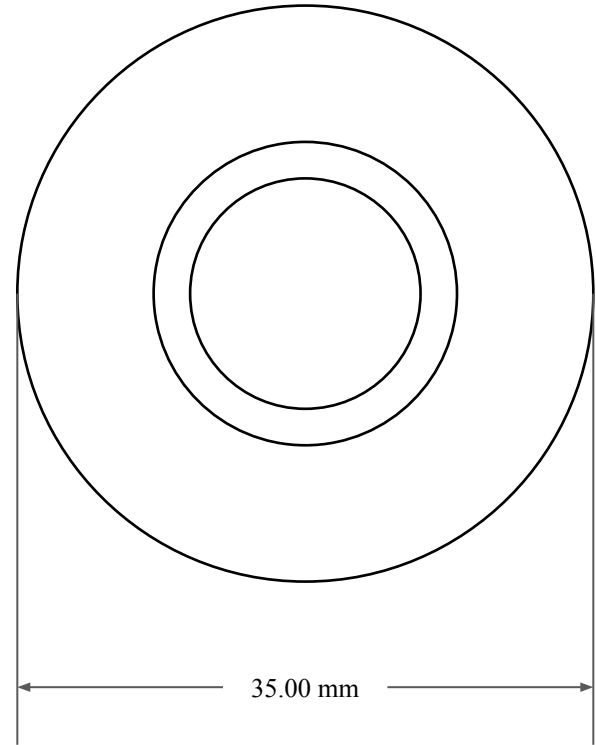





6.00 mm



25.00 mm



35.00 mm

|  |   |
|--|---|
|  <p><b>GLOBAL O-RING</b><br/>and SEAL<br/>ALL-AROUND BETTER</p> | PART NUMBER<br><b>MOS2657SB2</b>                              |
| 14450 John F. Kennedy Blvd.<br>Houston, TX 77032   | Metric Oil Seal - Nitrile Style SB2<br>SGL LIP W/ SPR, MTL OD |
| Information in this drawing is provided for reference only   |   |