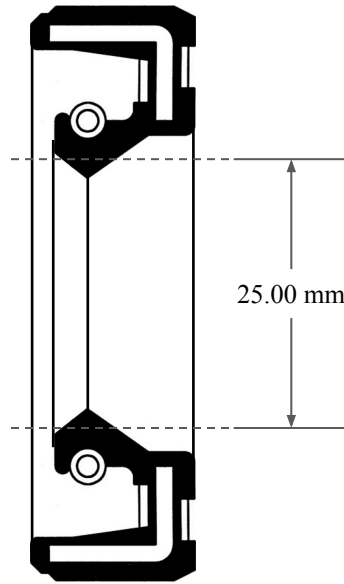
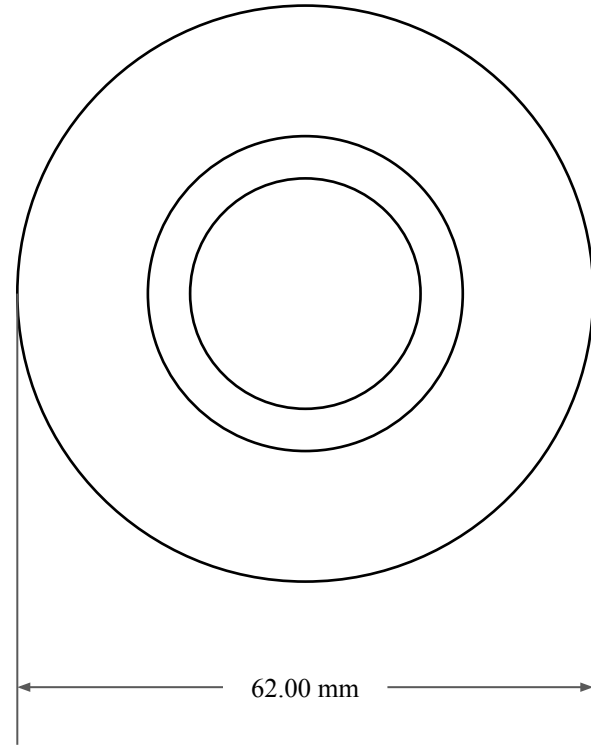





6.00 mm



25.00 mm



62.00 mm

| | |
|--|---------------------------------|
|  ALL-AROUND BETTER | PART NUMBER MOS2801SC |
| 14450 John F. Kennedy Blvd. Houston, TX 77032 | www.globaloring.com |
| Information in this drawing is provided for reference only | |

Metric Oil Seal - Nitrile Style SC
SGL LIP W/ SPR, RBR OD