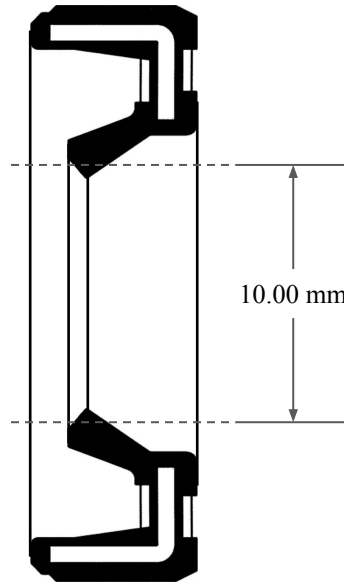
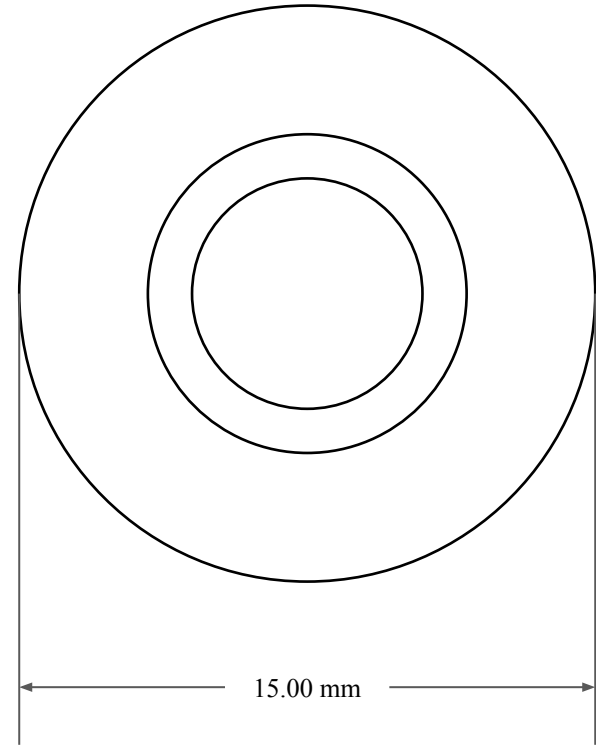



3.00 mm



10.00 mm



15.00 mm

 <p><b>GLOBAL O-RING and SEAL</b> ALL-AROUND BETTER</p>	PART NUMBER <b>MOS395VC</b>
14450 John F. Kennedy Blvd. Houston, TX 77032	www.globaloring.com
Information in this drawing is provided for reference only	

Metric Oil Seal - Nitrile Style VC  
SGL LIP NO SPR, RBR OD