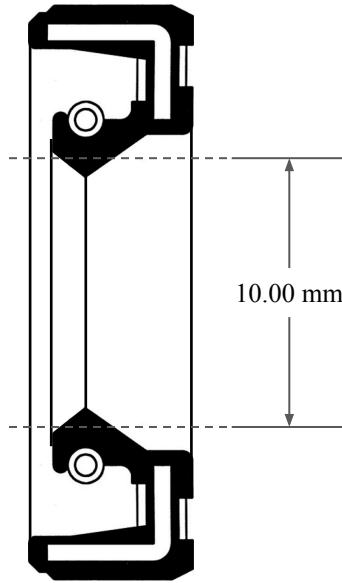
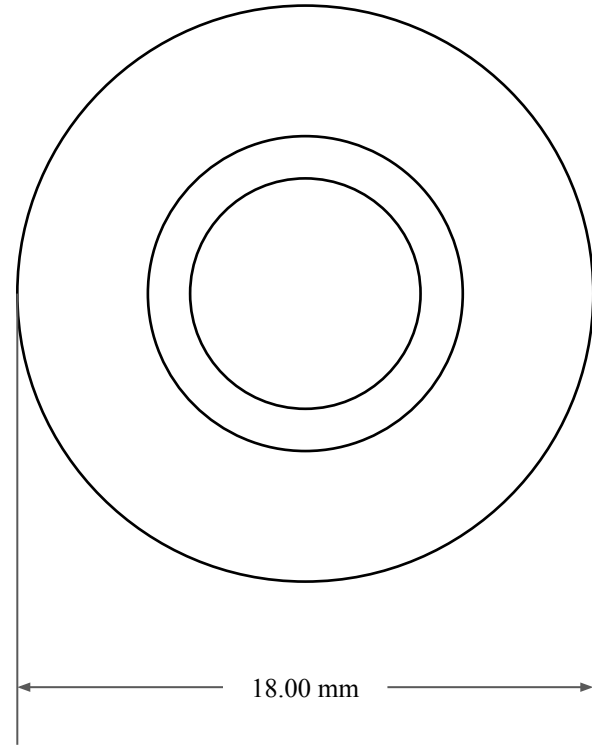





4.00 mm



10.00 mm



18.00 mm

|                                                                                                                                                      |                                                              |
|------------------------------------------------------------------------------------------------------------------------------------------------------|--------------------------------------------------------------|
|  <p><b>GLOBAL O-RING</b><br/>and SEAL<br/>ALL-AROUND BETTER</p> | PART NUMBER<br><b>MOS410SC</b>                               |
| 14450 John F. Kennedy Blvd.<br>Houston, TX 77032                                                                                                     | Metric Oil Seal - Nitrile Style SC<br>SGL LIP W/ SPR, RBR OD |
| Information in this drawing is provided for reference only                                                                                           |                                                              |