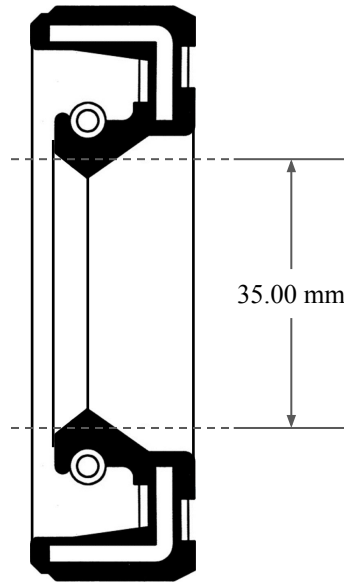
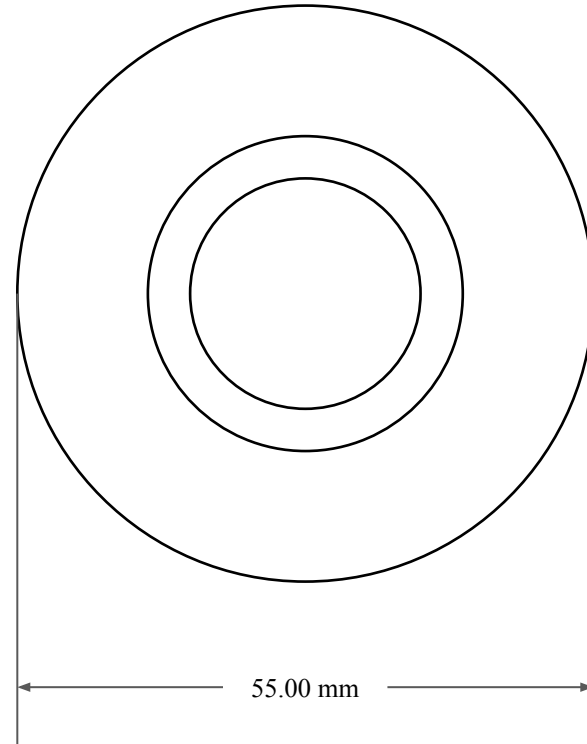





10.00
mm



35.00 mm



55.00 mm

 GLOBAL O-RING and SEAL ALL-AROUND BETTER	PART NUMBER MOS4850SC
14450 John F. Kennedy Blvd. Houston, TX 77032 www.globaloring.com	Metric Oil Seal - Nitrile Style SC
Information in this drawing is provided for reference only	

SGL LIP W/ SPR, RBR OD