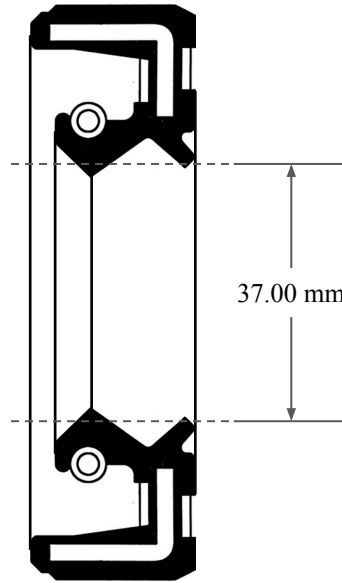
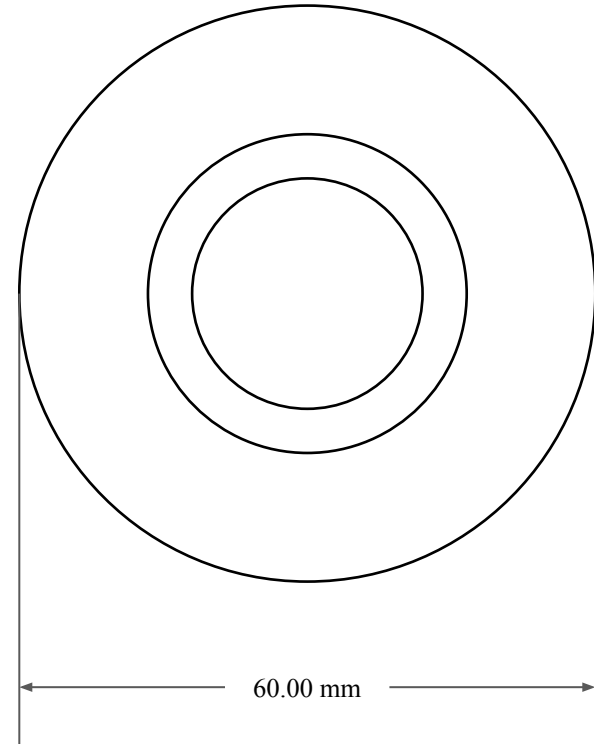




8.00 mm



37.00 mm



60.00 mm



GLOBAL O-RING
and SEAL
ALL-AROUND BETTER

14450 John F. Kennedy Blvd.
Houston, TX 77032

www.globaloring.com

Information in this drawing is provided for reference only

PART
NUMBER

MOS5157TC

Metric Oil Seal - Nitrile Style TC
DUAL LIP W/ SPR, RBR OD