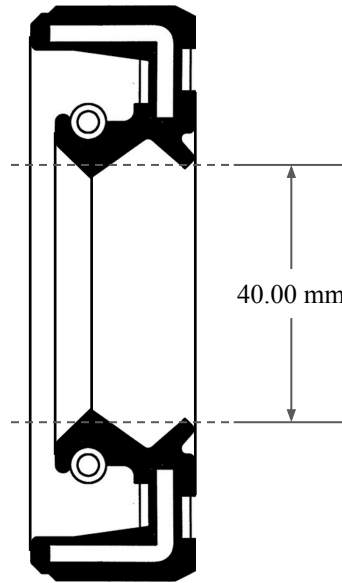
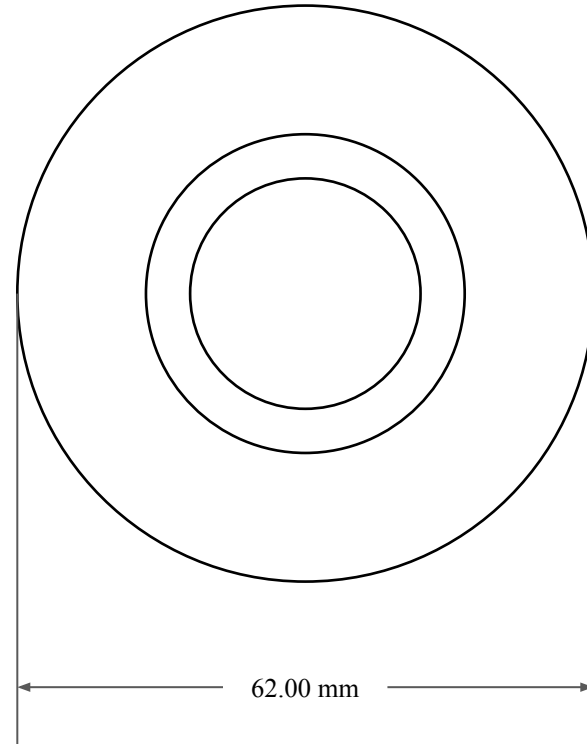


8.00 mm



40.00 mm



62.00 mm



**GLOBAL O-RING**  
and SEAL  
ALL-AROUND BETTER

14450 John F. Kennedy Blvd.  
Houston, TX 77032

[www.globaloring.com](http://www.globaloring.com)

PART  
NUMBER

**MOS5779TC**

Metric Oil Seal - Nitrile Style TC  
DUAL LIP W/ SPR, RBR OD

Information in this drawing is provided for reference only